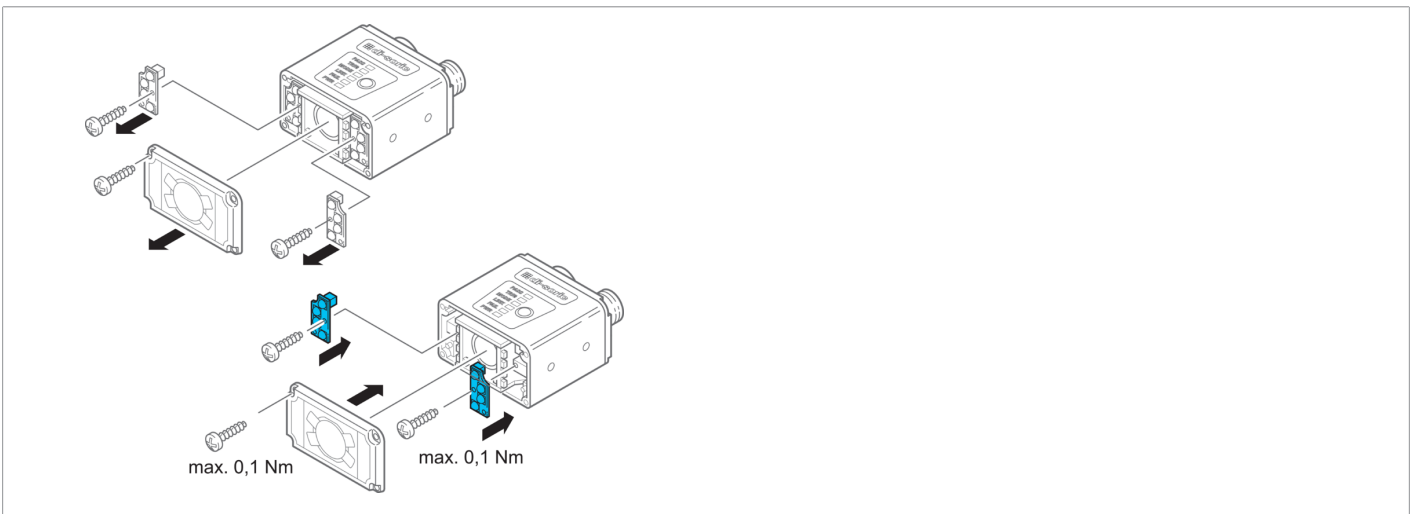
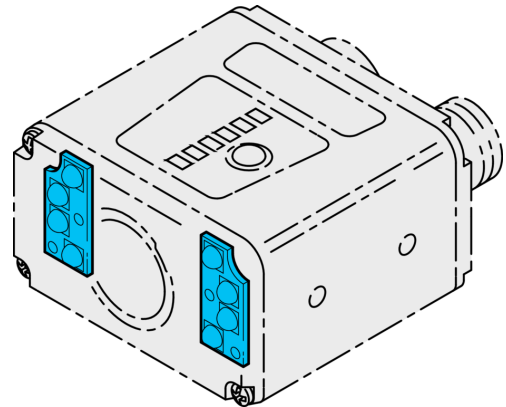


210183
BE-CS-G5
LED board replacement kit, White

- For mounting on CS 50



Function										
										CE

Technical data (typ.)		+20°C, 24 V DC	
Tightening torque (max.)		0.1 Nm	
Component		LED board replacement kit, White	
To be used for		CS 50 Vision Sensors	
Light source		LED	
Color		White	
Wavelength		6500 K	

More information / accessories	
https://www.di-soric.com/210183	