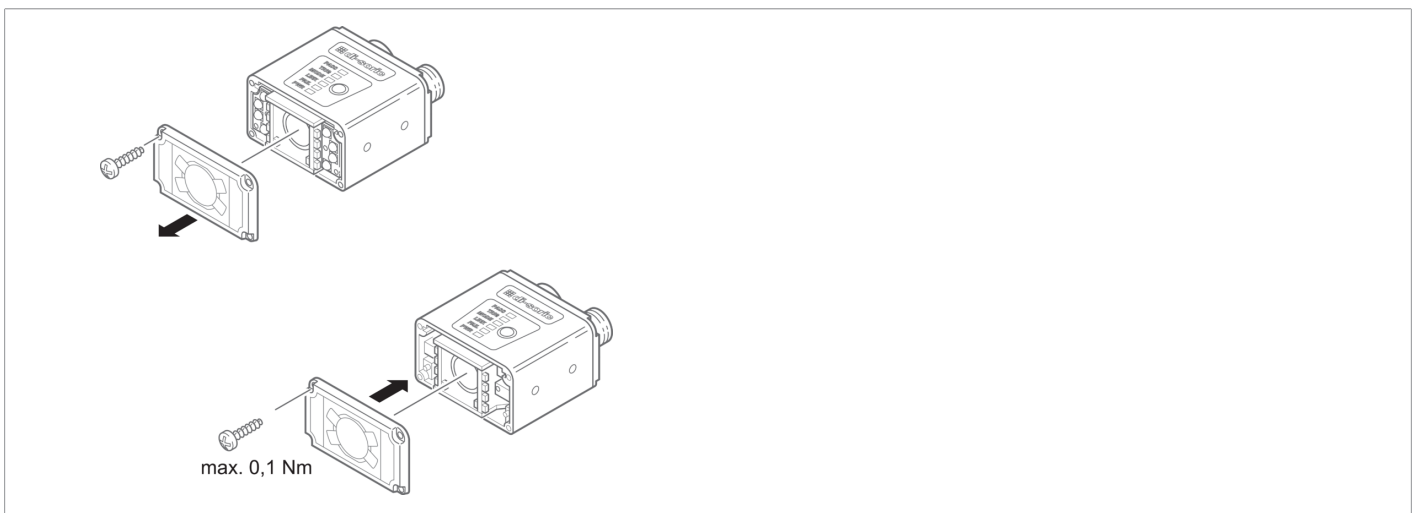
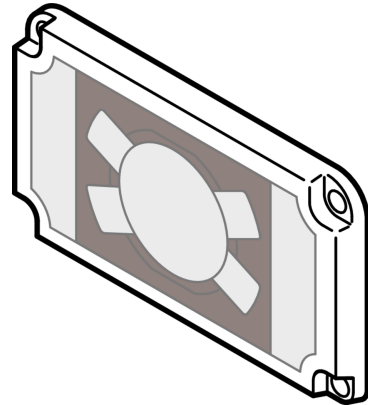




210189
CS-WINDOWKIT-G1
Red filter

- Quick and easy mounting
- For mounting on CS 50
- For increasing contrast
- Red filter



Technical data (typ.)	+20°C, 24 V DC
Mounting	4 holes
Housing material	Plastic
Component	Panel
To be used for	CS 50 Vision Sensors
More information / accessories	https://www.di-soric.com/210189