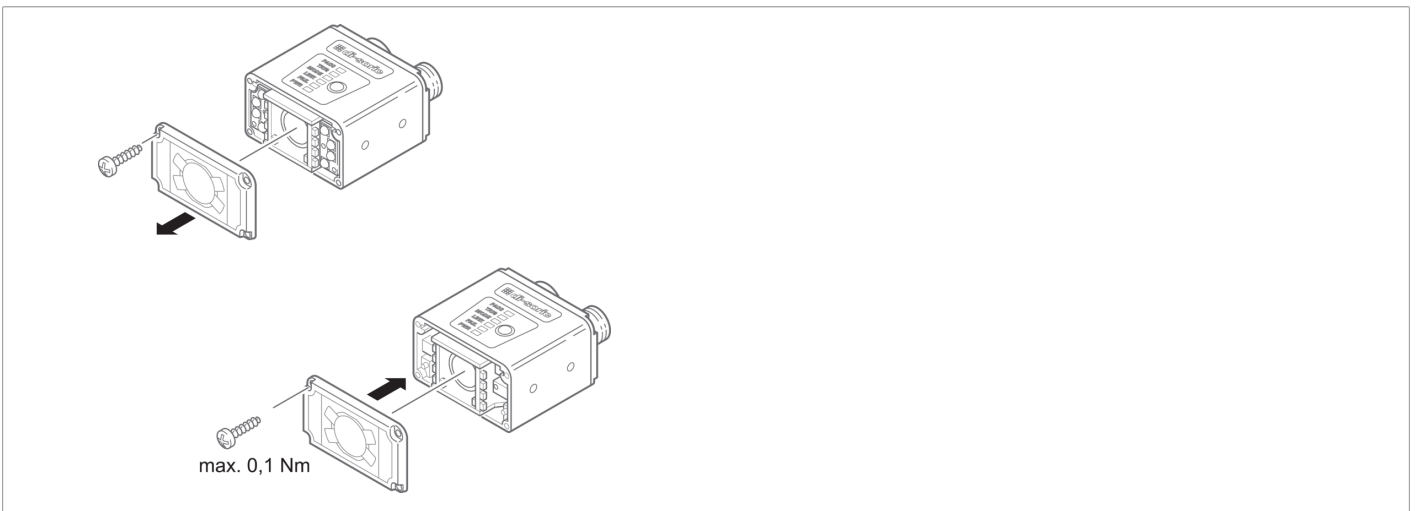
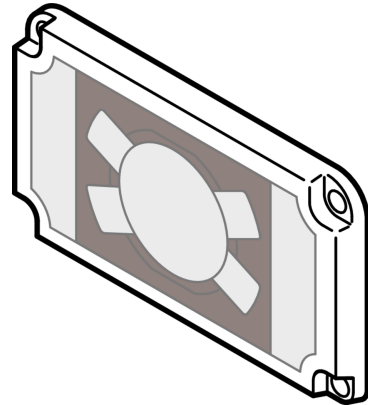




**210190**  
**CS-WINDOWKIT-G3**  
**Blue filter**

- Quick and easy mounting
- For mounting on CS 50
- For increasing contrast
- Blue filter



<b>Technical data (typ.)</b>	<b>+20°C, 24 V DC</b>
Mounting	4 holes
Housing material	Plastic
Component	Panel
To be used for	CS 50 Vision Sensors
<b>More information / accessories</b>	<b><a href="https://www.di-soric.com/210190">https://www.di-soric.com/210190</a></b>