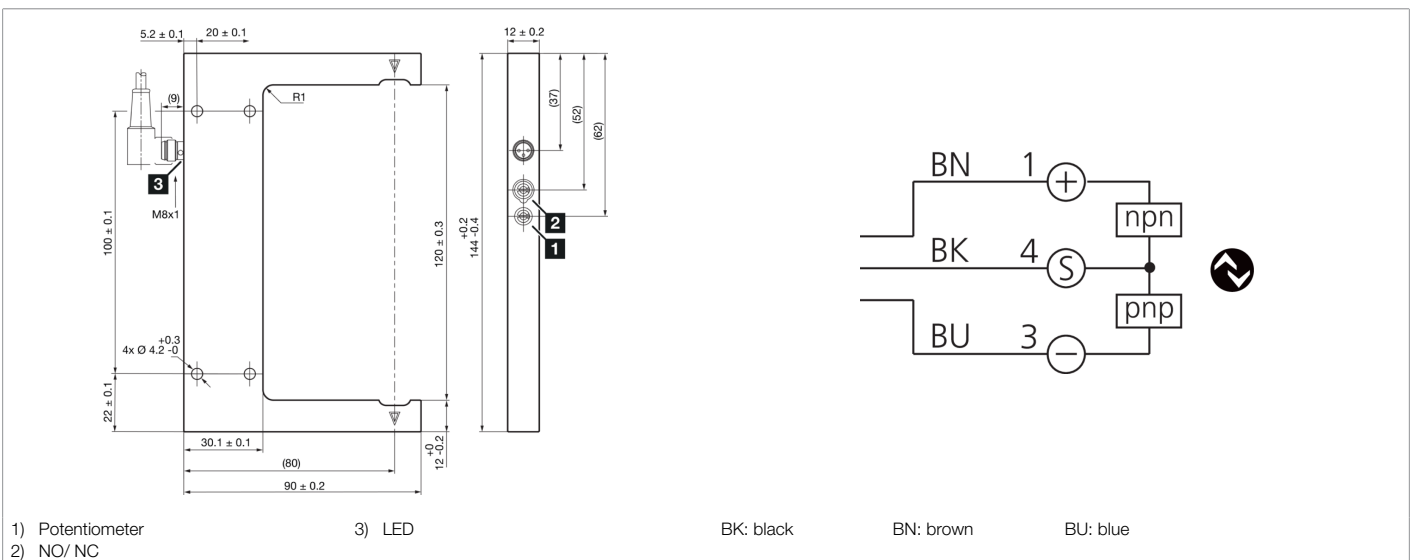


210250
OGU 120 G3-T3
Fork light barrier

- 4 operating modes as an IO-Link parameter
- Switch-on/off delay as an IO-Link parameter
- Diagnostics with IO-Link
- Metal casing
- Sensitivity is adjustable
- High switching frequency
- Light/dark switching
- Bright ring LED
- High protection type



Function											

Technical data (typ.)	+20°C, 24 V DC
Service voltage	10 ... 30 V DC
No-load current (max.)	30 mA
Insulation voltage endurance	500 V
Leg length internal	60 mm
Housing dimensions	144 x 90 x 12 mm
Housing length	90 mm
Housing height	144 mm
Housing width	12 mm
Housing material	Die-cast zinc (Black, powder-coated)
Protection class	III, operation on protective low voltage
Approvals	UL
Operating principle	Optical
Evaluation	digital
Design	Fork
Operation modes	STANDARD, HIGH RESOLUTION, POWER, SPEED
Switching output	Push-pull, 100 mA, NO/NC, switchable
Interface	IO-Link (V1.1, COM2 38.4 kBd, Smart Sensor Profile)
Light source	LED
Color	Infrared



210250
OGU 120 G3-T3
Fork light barrier

Technical data (typ.)	+20°C, 24 V DC
Modulation	Clocked
Fork opening	120 mm
Resolution (factory setting)	0.5 mm (STANDARD)
Reproducibility (factory setting)	0.02 mm (STANDARD)
Resolution (STANDARD)	0.5 mm
Reproducibility (STANDARD)	0.02 mm
Resolution (HIGH RESOLUTION)	0.3 mm
Reproducibility (HIGH RESOLUTION)	0.02 mm
Resolution (POWER)	1.5 mm
Reproducibility (POWER)	0.02 mm
Resolution (SPEED)	0.5 mm
Reproducibility (SPEED)	0.02 mm
Sensitivity adjustment	Potentiometer or IO-Link
Switching frequency (factory setting)	5000 Hz (STANDARD)
Switching frequency (STANDARD)	5000 Hz
Switching frequency (HIGH RESOLUTION)	1500 Hz
Switching frequency (POWER)	250 Hz
Switching frequency (SPEED)	8000 Hz
Ambient temperature during operation	-25 ... +60 °C
Protection type	IP 67
Connection	Connector, M8, 3-pin
Connection cable	TK ...
More information / accessories	https://www.di-soric.com/210250