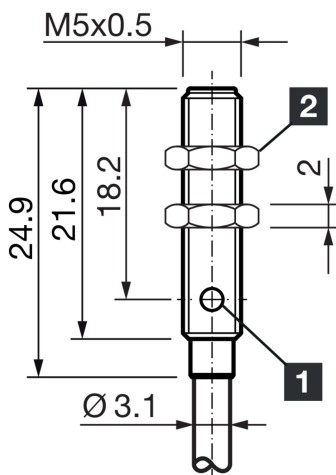




**210385**  
**DCC 05 V 1.5 PSLK**  
**Inductive proximity sensor**

- Stainless steel housing
- Highly flexible cable
- Integrated amplifier
- Short-circuit protection
- Starting pulse suppression
- LED



1) LED

2) Width over flats 7 mm

BK: black

BN: brown

BU: blue

**Function**

|  |  |  |  |  |  |  |  |  |  |  |  |    |   |
|--|--|--|--|--|--|--|--|--|--|--|--|----|---|
|  |  |  |  |  |  |  |  |  |  |  |  | CE |  |
|--|--|--|--|--|--|--|--|--|--|--|--|----|---|

| Technical data (typ.)        | +20°C, 24 V DC                           |
|------------------------------|--|
| Service voltage              | 10 ... 30 V DC                           |
| Internal power consumption   | < 10 mA                                  |
| Insulation voltage endurance | 500 V                                    |
| Installation type            | Flush                                    |
| Thread                       | M5 x 0.5                                 |
| Housing length               | 24.9 mm                                  |
| Housing material             | Stainless steel (AISI303)                |
| Material of cable            | PVC                                      |
| Material of sensor probe     | PBT                                      |
| Protection class             | III, operation on protective low voltage |
| Operating principle          | inductive                                |
| Evaluation                   | digital                                  |
| Design                       | Thread                                   |
| Characteristics              | increased operating distance             |
| Product series               | INM-300 Miniature Extended               |
| Switching output             | pnp, 100 mA, NO                          |
| Voltage drop (max.)          | 1.5 V (100 mA)                           |
| Switching distance (SN)      | 1.5 mm                                   |
| Standardized measuring plate | 4 x 4 x 1 mm                             |
| Switching hysteresis (max.)  | 1 ... 20 %                               |



**210385**  
**DCC 05 V 1.5 PSLK**  
**Inductive proximity sensor**

|                                       |  |
|---------------------------------------|--|
| <b>Technical data (typ.)</b>          | <b>+20°C, 24 V DC</b>  |
| LED Anzeige                           | Yes  |
| Switching frequency                   | 5000 Hz  |
| Ambient temperature during operation  | -25 ... +70 °C   |
| Protection type                       | IP 67  |
| Connection                            | Cable, 2.0 m (flying leads)  |
| <b>More information / accessories</b> | <b><a href="https://www.di-soric.com/210385">https://www.di-soric.com/210385</a></b> |