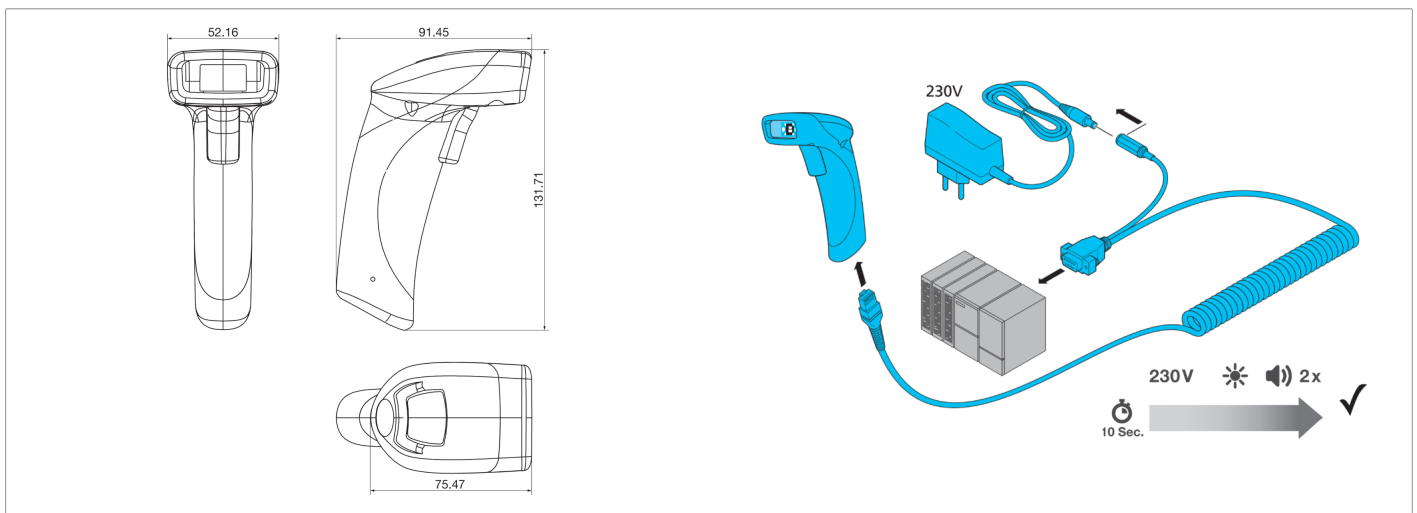




**210541**  
**ID-80-IM3-2-S**  
**ID Handheld reader**

- Fast, omnidirectional recognition of 1D, 2D codes and postal barcodes
- Manual or automatic trigger
- Fatigue-free work due to low weight
- Ergonomic design
- Reading feedback using LED and audible tone



Function											
										CE	

Technical data (typ.)	+20°C, 5 V DC
Service voltage	5 V DC
No-load current (max.)	300 mA
Housing dimensions	132 x 52 x 91 mm
Housing length	91 mm
Housing height	132 mm
Housing width	52 mm
Housing material	Plastic
Weight	110 g
Note	Additional components are required for operation
Code type - 1D-Codes (barcodes)	BC 412, Code 11, Codabar, Code 128, Code 39, Code 32, Pharmacode, GSI DataBar, Hong Kong 2 of 5, IATA 2 of 5, Interleaved 2 of 5, Matrix 2 of 5, MSI Plessey, NEC 2 of 5, Plessey, Straight 2 of 5, Telepen, Trioptic, UPC / EAN / JAN
Code type - 2D-Codes	Aztec Code, Data Matrix, QR code, Micro QR Code, QR Model 1, GoCode® (protected - additional license required), Data Matrix Rectangular Extension
Code type - Stacked codes	PDF 417, Micro PDF, GS1 Composite (CC-A/CC-B/CC-C)
Interface	RS232 (In operation with ID-K-SD/DCJ-RJ50-2)
Image sensor	CMOS
Resolution	1280 x 960 Pixel
Position scanner to code	Tilt 180°, Pitch ± 65°, Skew ± 60°
Ambient temperature during operation	-20 ... +55 °C
Protection type	IP 54



**210541**  
**ID-80-IM3-2-S**  
**ID Handheld reader**

**Technical data (typ.)**

Connection

**+20°C, 5 V DC**

RS232, RJ 50

**More information / accessories**<https://www.di-soric.com/210541>