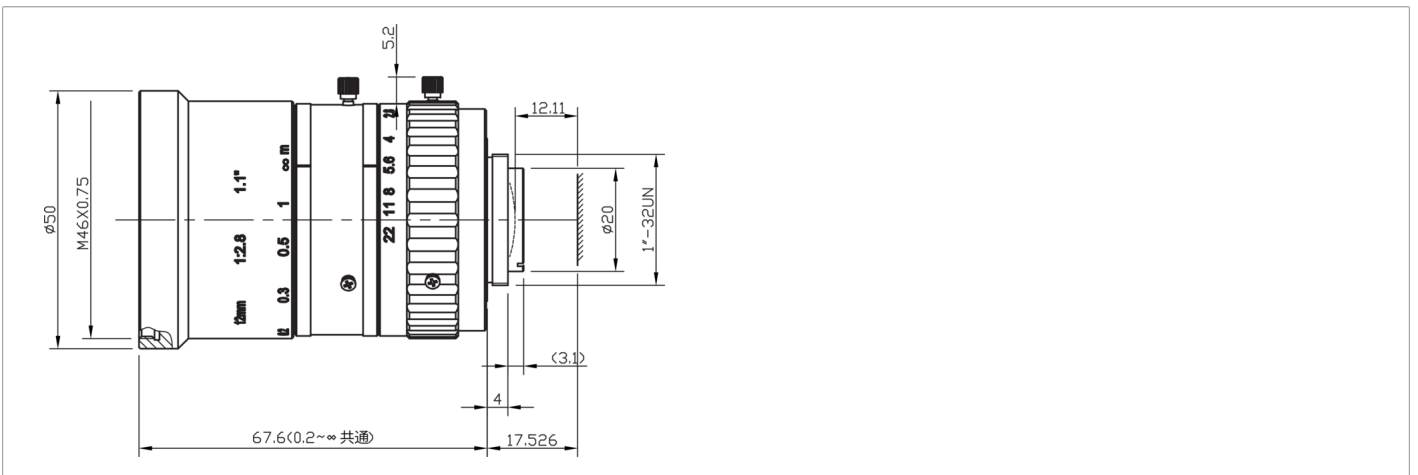
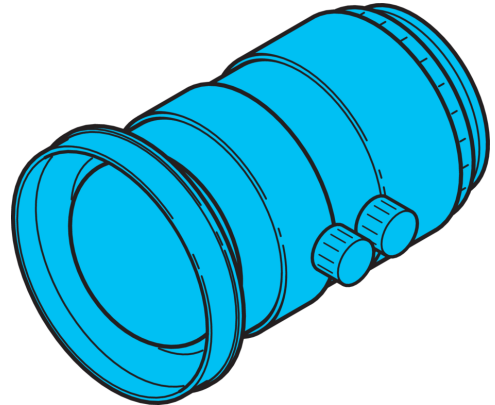




210979
O-C5-S-12-18/IRO
Lens

- Highest resolution
- Compact design
- Lock screws for focus and iris adjustment
- Filters attachable



Technical data (typ.)

+20°C

Lens connection	C-mount
Filter thread	M46 x 0.75
Characteristics	IR-optimized
To be used for	Vision Systems and ID Systems
Focal length	12 mm
Aperture ratio	1:1.8
Aperture (F)	2.8
Distortion	< 0.51 %
Sensor size	max. 1.1"
Resolution	< 12 Megapixel
Minimum Object Distance MOD	100 mm

More information / accessories

<https://www.di-soric.com/210979>