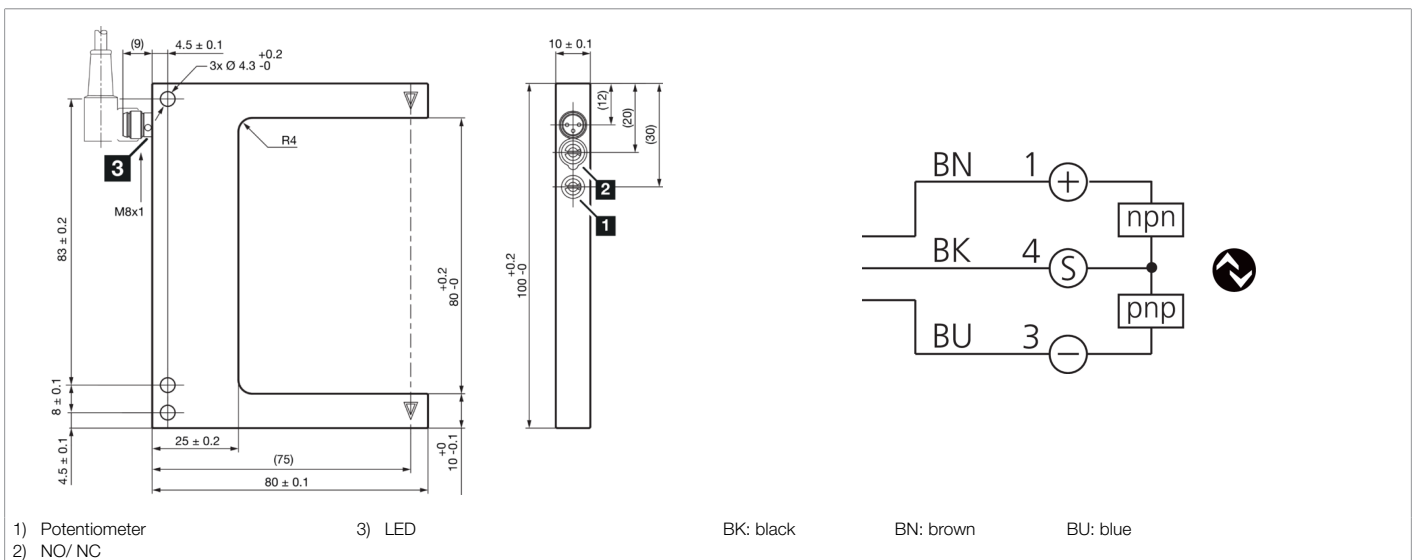




211045
OGUL 081 G3-T3/V4A
Laser fork light barrier

- Light/dark switching
- Robust stainless steel housing for use in the pharmaceutical, beverage and food industries
- IO-Link
- 4 operating modes as an IO-Link parameter
- Switch-on/off delay as an IO-Link parameter
- Diagnostics with IO-Link
- Electronics integrated
- Sensitivity is adjustable
- High switching frequency
- Bright ring LED



Function												

Technical data (typ.)	+20°C, 24 V DC
Service voltage	10 ... 30 V DC
No-load current (max.)	30 mA
Insulation voltage endurance	500 V
Leg length internal	55 mm
Housing dimensions	100 x 80 x 10 mm
Housing length	80 mm
Housing height	100 mm
Housing width	10 mm
Housing material	Stainless steel (V4A, 1.4404 / AISI 316L - 1.4571 / AISI 316Ti, Black, powder-coated)
Weight	140 g
Protection class	III, operation on protective low voltage
Approvals	UL
Operating principle	Optical
Evaluation	digital
Design	Fork
Operation modes	STANDARD, HIGH RESOLUTION, POWER, SPEED
Switching output	Push-pull, 100 mA, NO/NC, switchable
Voltage drop (max.)	1 V
Interface	IO-Link (V1.1, COM2 (38.4 kBd) Smart Sensor Profile)



211045
OGUL 081 G3-T3/V4A
Laser fork light barrier

Technical data (typ.)	+20°C, 24 V DC
Light source	Laser
Laser class	1 (IEC 60825-1)
Color	red
Modulation	Clocked
Fork opening	80 mm
Resolution (factory setting)	0.05 mm (STANDARD)
Reproducibility (factory setting)	0.01 mm (STANDARD)
Resolution (STANDARD)	0.05 mm
Reproducibility (STANDARD)	0.01 mm
Resolution (HIGH RESOLUTION)	0.04 mm
Reproducibility (HIGH RESOLUTION)	0.01 mm
Resolution (POWER)	0.15 mm
Reproducibility (POWER)	0.015 mm
Resolution (SPEED)	0.05 mm
Reproducibility (SPEED)	0.015 mm
Sensitivity adjustment	Potentiometer or IO-Link
Switching frequency (factory setting)	5000 Hz (STANDARD)
Switching frequency (STANDARD)	5000 Hz
Switching frequency (HIGH RESOLUTION)	2000 Hz
Switching frequency (POWER)	1000 Hz
Switching frequency (SPEED)	10000 Hz
Ambient temperature during operation	-25 ... +60 °C
Protection type	IP 67
Connection	Connector, M8, 3-pin
Connection cable	TK ...
More information / accessories	https://www.di-soric.com/211045