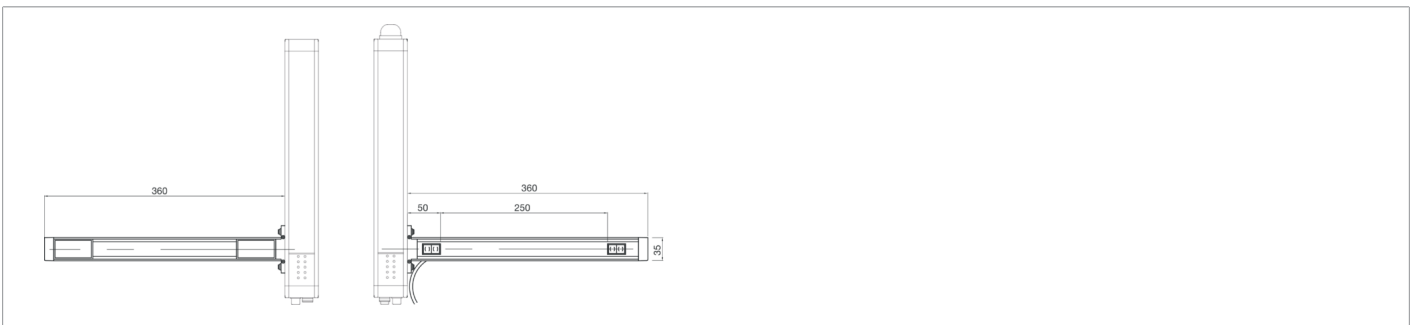
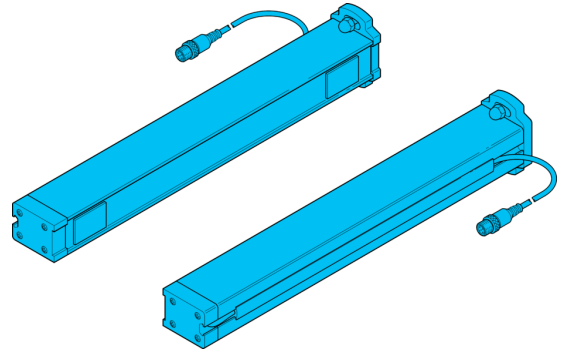




**212726**  
**MA-L2P TRX**

- Muting made simple through hardware wiring to SLM4
- Pre-wired muting arms for SLM4 for quick commissioning
- Integrable, height-adjustable muting arms in mounting groove of SLM4
- Simple plug connector, connection of muting sensors directly to SLM4 safety light grid



**Function**



**Technical data (typ.)**

**+20°C, 24 V DC**

Service voltage	19.2 ... 28.8 V DC
Characteristic variables	Typ 4
Model	Muting arm
Operating principle	Retroreflective sensor
Characteristics	Safety function Muting Activation
Switching output	pnp, 100 mA, NO
Ambient temperature during operation	-30 ... +55 °C

**More information / accessories**

<https://www.di-soric.com/212726>