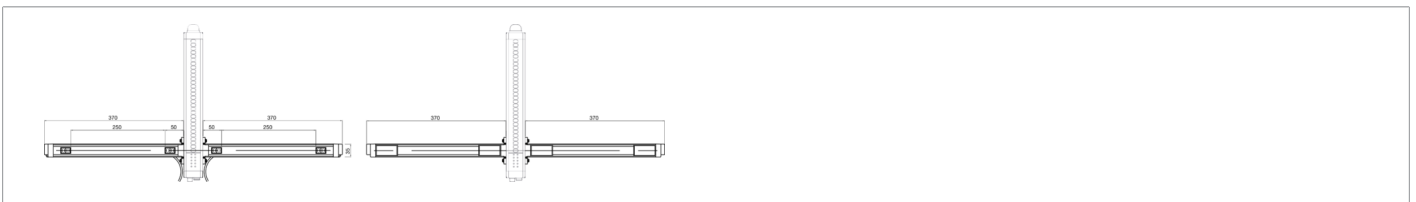
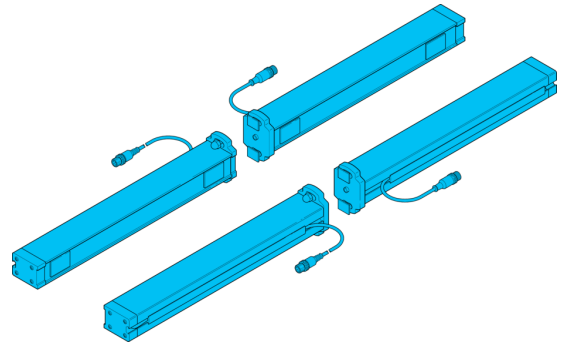







212730
MA-T4P TRX

- Muting made simple through hardware wiring to SLM4
- Pre-wired muting arms for SLM4 for quick commissioning
- Integrable, height-adjustable muting arms in mounting groove of SLM4
- Simple plug connector, connection of muting sensors directly to SLM4 safety light grid



Function										
										 

Technical data (typ.)		+20°C, 24 V DC	
Service voltage		19.2 ... 28.8 V DC	
Characteristic variables		Typ 4	
Model		Muting arm	
Operating principle		Retroreflective sensor	
Characteristics		Safety function Muting Activation	
Switching output		pnp, 100 mA, NO	
Ambient temperature during operation		-30 ... +55 °C	

More information / accessories		https://www.di-soric.com/212730	
--------------------------------	--	---	--