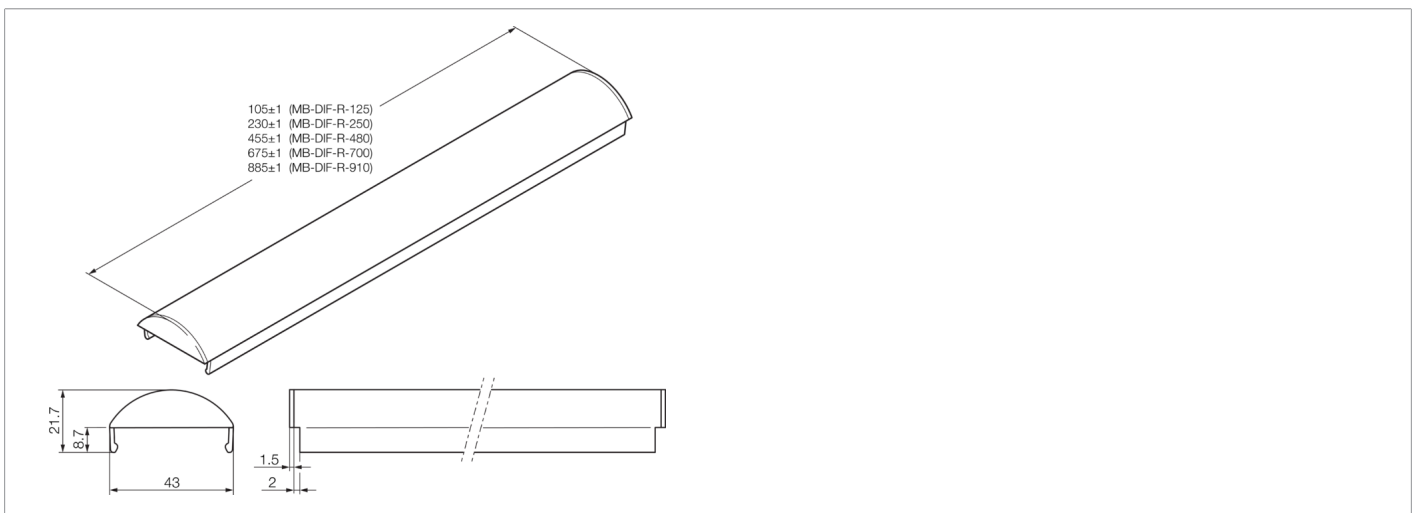
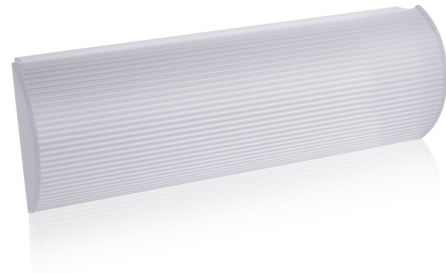




**212824**  
**MB-DIF-R-125**  
**Diffusor**

- Diffusion filter
- For a homogeneous light reduction and illumination
- Quick and easy mounting



Technical data (typ.)	+20°C
Illuminated area	105 x 43 mm
Mounting	Using clamping groove
Material	PC diffuse (Window)
Weight	15 g
Component	Diffusor panel
To be used for	MB-N-125 ...
<b>More information / accessories</b>	<b><a href="https://www.di-soric.com/212824">https://www.di-soric.com/212824</a></b>