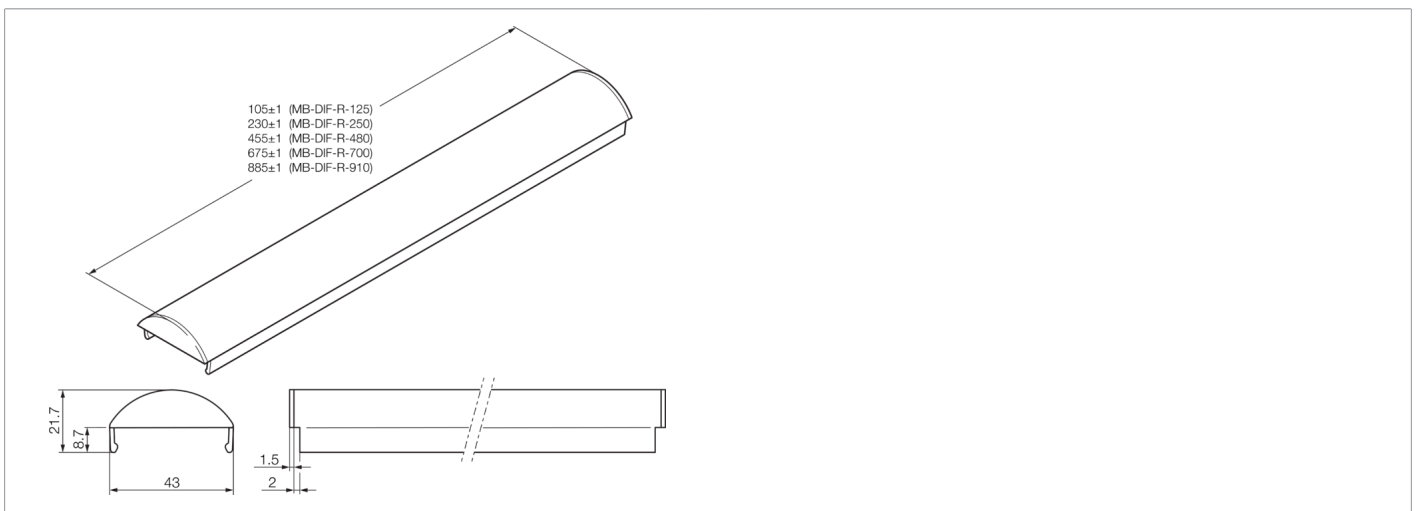
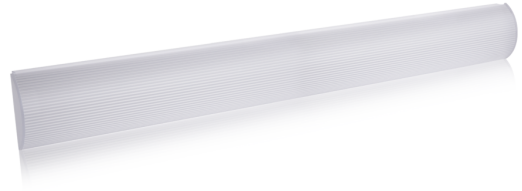




212826
MB-DIF-R-480
Diffusor

- Diffusion filter
- For a homogeneous light reduction and illumination
- Quick and easy mounting



Technical data (typ.)	+20°C
Illuminated area	455 x 43 mm
Mounting	Using clamping groove
Material	PC diffuse (Window)
Weight	58 g
Component	Diffusor panel
To be used for	MB-N-480 ...
More information / accessories	https://www.di-soric.com/212826