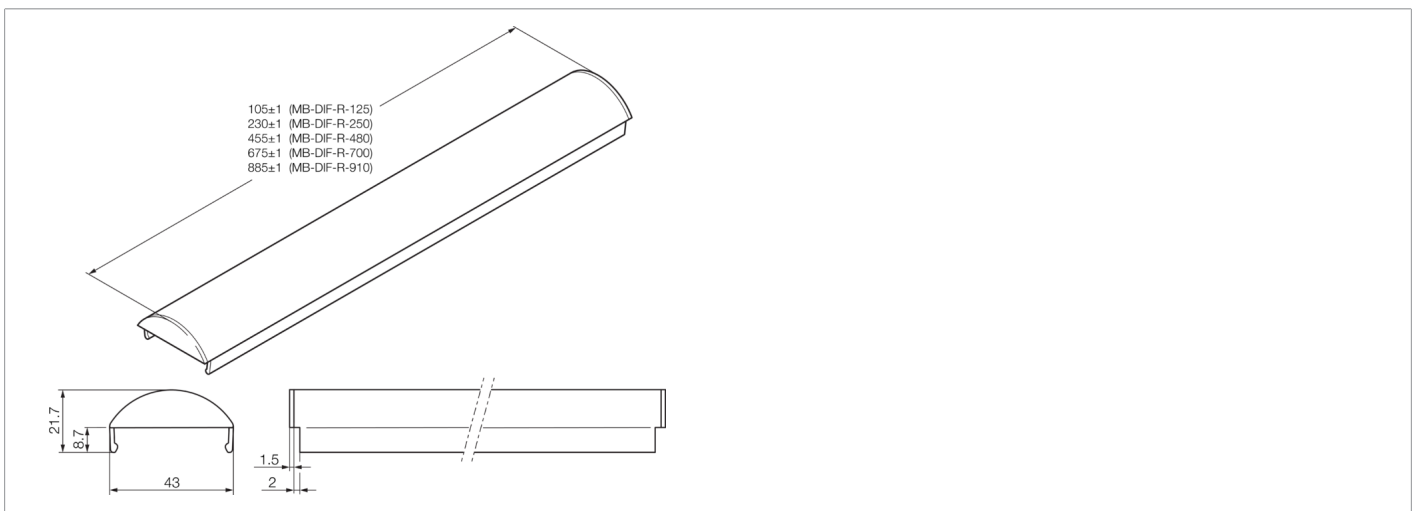
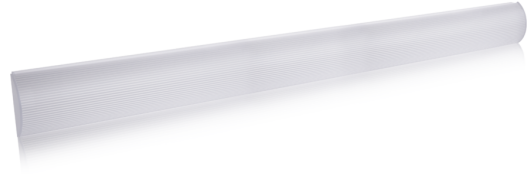




**212827**  
**MB-DIF-R-700**  
**Diffusor**

- Diffusion filter
- For a homogeneous light reduction and illumination
- Quick and easy mounting



Technical data (typ.)	+20°C
Illuminated area	675 x 43 mm
Mounting	Using clamping groove
Material	PC diffuse (Window)
Weight	86 g
Component	Diffusor panel
To be used for	MB-N-700 ...
<b>More information / accessories</b>	<a href="https://www.di-soric.com/212827">https://www.di-soric.com/212827</a>