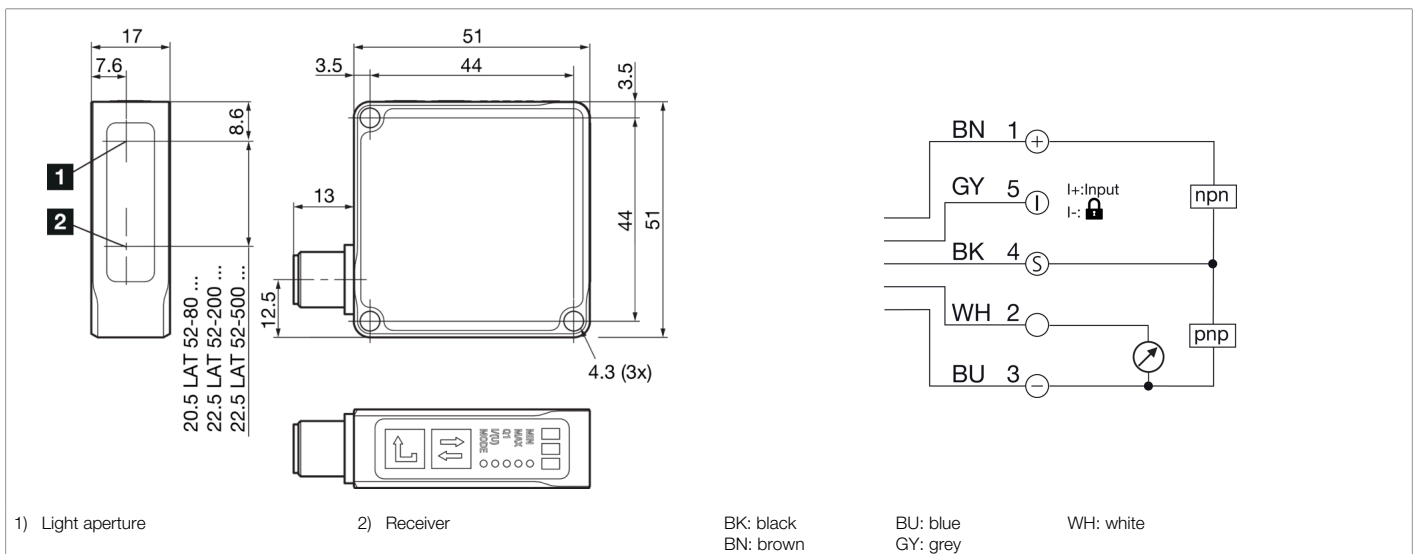




**212856**  
**LAT52-200IU-B5**  
**Laser distance sensors**

- IO-Link
- Precisely linearized object detection
- Large detection range
- 3 operating modes as an IO-Link parameter
- Laser class 1
- Red-light laser, with small laser spot
- Easy to operate
- Robust metal housing



Function												

Technical data (typ.)	+20°C, 24 V DC
Service voltage	18 ... 30 V DC (Supply Class 2)
No-load current (max.)	60 mA
Insulation voltage endurance	500 V
Housing dimensions	51 x 51 x 17 mm
Housing material	Die-cast zinc (Black, powder-coated)
Material window / optics	Plastic
Weight	102 g
Protection class	III, operation on protective low voltage
Approvals	UL
Design	Cuboid design
Operation modes	Standard operating modes: General applications, Speed: Quick measurement (measuring rate 1,200 Hz), Power: For dark objects
Switching output	Push-pull (1x), 100 mA, NO/NC
Voltage drop (max.)	2 V
Analog output	0 ... 10 V, 4 ... 20 mA
Interface	<ul style="list-style-type: none"> <li>■ IO-Link V1.1, COM2</li> <li>■ Smart Sensor Profile</li> </ul>
Light source	Laser (Clocked)
Laser class	CLASS 1 LASER PRODUCT, 1 (IEC 60825-1:2014 / EN 60825-1:2014)
Color	Red



**212856**  
**LAT52-200IU-B5**  
**Laser distance sensors**

Technical data (typ.)	+20°C, 24 V DC
Wavelength	650 nm (Pp < 0.65 mW t = 4 µs)
Light spot size	Ø 1.0 mm
Measuring range	50 ... 200 mm (6 to 90 % remission)
Measuring range 1	50 ... 100 mm (6 to 90 % remission)
Measuring range 2	100 ... 200 mm (6 to 90 % remission)
Resolution	0.02 ... 0.05 mm (0.02 mm at 50 ... 100 mm, mode: standard, mean value 16), 0.05 mm with 100 to 200 mm, mode: Standard, median value 16))
Reproducibility	0.05 mm
Reproducibility	0.05 mm at 50 ... 100 mm, mode: standard, mean value 16, ± 0.1 mm at 50 ... 100 mm, Mode: Standard, median value 16
Linearity error	0.07 % (± 0.1 mm at 50 ... 100 mm, Mode: Standard, median value 16, ± 0.2 mm at 100 ... 200 mm, mode: standard, mean value 16)
Sensitivity adjustment	Keypad
Display	LED Green - Status, yellow - Switching output, Red - Signal weak
Measuring frequency	750 Hz, (max. 1200 Hz in Speed sensor mode without filter)
Readiness delay (max.)	300 ms
Shock/vibration load	30 g, 10 ... 55 Hz / 0.5 mm
Ambient temperature during operation	0 ... +50 °C
Temperature drift	0.04 %/K
Protection type	IP 67
Connection	Connector, M12, 5-pin
Connection cable	VK ... /5
<b>More information / accessories</b>	<b><a href="https://www.di-soric.com/212856">https://www.di-soric.com/212856</a></b>