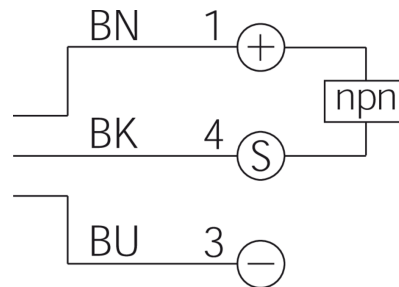
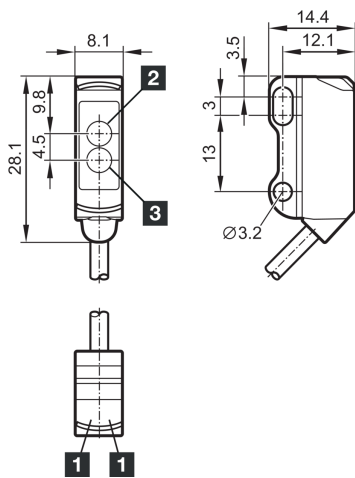




212982
OT21-NS-2C
Retroreflective diffuse sensor

- Miniature design
- Mounting element made of metal
- High switching frequency



1) LED
 2) Receiver

3) Transmitter

BK: black

BN: brown

BU: blue

Function



Technical data (typ.)

+20°C, 24 V DC

Service voltage	10 ... 30 V DC
No-load current (max.)	20 mA
Inverse polarity protection	Yes
Short-circuit protection	Yes
Insulation voltage endurance	500 V
Housing dimensions	28.1 x 8.1 x 14.4 mm
Housing length	8.1 mm
Housing height	28.1 mm
Housing width	14.4 mm
Housing material	Stainless steel / Plastic
Material of cable	PVC
Material	Plastic (Window / optics)
Weight	37 g
Protection class	III, operation on protective low voltage
Approvals	UL
Operating principle	Retroreflective diffuse sensor
Evaluation	digital
Design	Cuboid design
Switching output	npn, 100 mA, NO
Voltage drop (max.)	2.5 V



212982

OT21-NS-2C

Retroreflective diffuse sensor

Technical data (typ.)	+20°C, 24 V DC
Light source	LED
Color	red
Wavelength	633 nm
Modulation	Clocked
Light spot size	Ø 18 mm (at distance of 180 mm)
Scanning range	0 ... 180 mm
Standardized measuring plate	200 x 200 mm (white)
Sensitivity adjustment	no setting elements
Display	LED Green - Status, yellow - Switching output
Switching frequency	1000 Hz
Ambient temperature during operation	-25 ... +60 °C
Protection type	IP 65 / IP 67
Connection	Cable, 2.0 m, 3-pin
More information / accessories	https://www.di-soric.com/212982