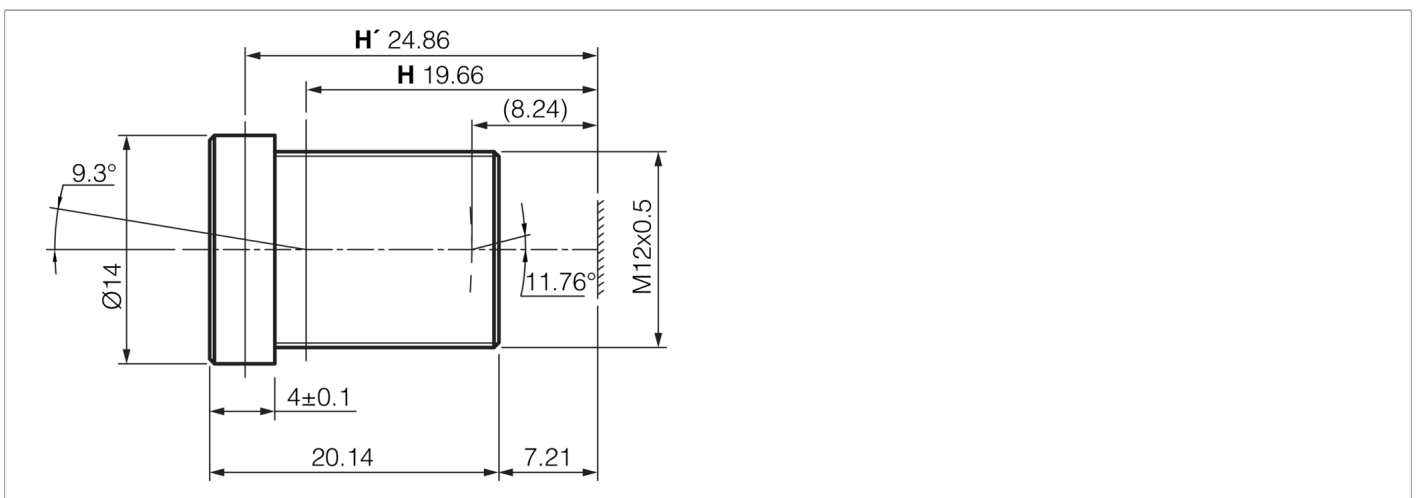


- IR-cut filter coating
- Light shutter
- High resolution
- Robust design



Technical data (typ.)	+20°C
Length	20.14 mm
Diameter	Ø 14 mm (Diameter)
Lens connection	S-mount
Filter thread	M12 x 0.5
Wavelength	400 ... 950 nm
Focal length	25 mm
Aperture (F)	8.0
First principal plane	19.66 mm
Second principal plane	24.86 mm
Angle of view (object)	9.3°
Angle of view (image)	11.76°
Aperture type	Fixed
Sensor size	1/2"
Resolution	3 Megapixel
Working distance	endless
Temperature resistance	-20 ... +65 °C

More information / accessories <https://www.di-soric.com/213101>