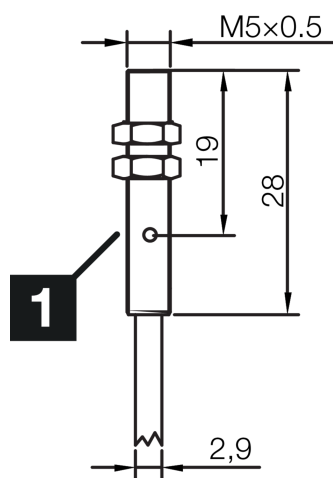




213199
INSM-M05-B0.8PS-2C
Inductive proximity sensor

- Single switching distance
- Highly flexible cable
- Short-circuit protection
- LED switching status display
- High protection type



1) LED

BK: black

BN: brown

BU: blue

Function



Technical data (typ.)

+20°C, 24 V DC

Service voltage	10 ... 30 V DC
Internal power consumption	10 mA
Insulation voltage endurance	< 500 V DC
Installation type	Flush
Thread	M5 x 0.5
Housing length	28 mm
Housing material	Stainless steel (V2A)
Material of cable	PVC
Protection class	III, operation on protective low voltage
Operating principle	inductive
Evaluation	digital
Design	Thread
Characteristics	Single switching distance
Product series	INM-100 Miniature
Switching output	pnp, 200 mA, NO
Voltage drop (max.)	1.5 V DC
Switching distance (SN)	0.8 mm
Standardized measuring plate	5 x 5 x 1 mm
Switching hysteresis (max.)	< 10 %
LED Anzeige	Yes

**213199****INSM-M05-B0.8PS-2C****Inductive proximity sensor****Technical data (typ.)****+20°C, 24 V DC**

Switching frequency

2000 Hz

Ambient temperature during operation

-25 ... +70 °C

Protection type

IP 67

Connection

Cable, 2.0 m (flying leads)

More information / accessories<https://www.di-soric.com/213199>