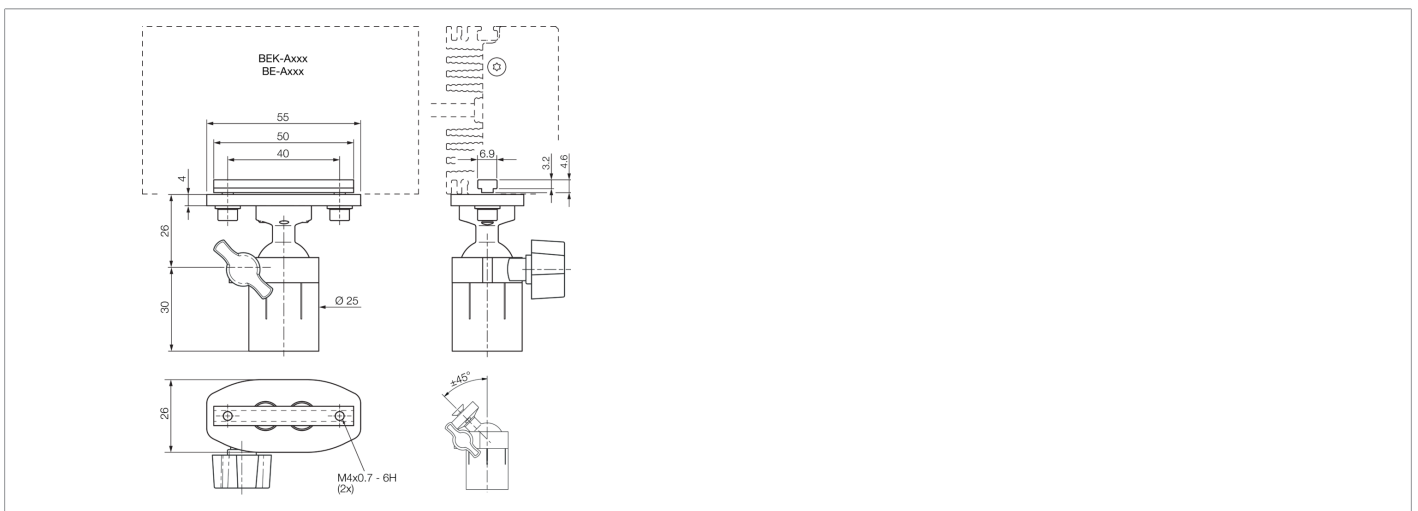
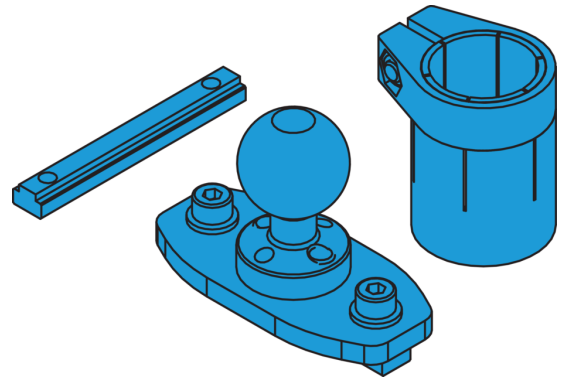




**213329**  
**HS-BE-A-NS-TN-M4**  
**Ball head BEK-A**

- Load capacity min. 60 Nm (static)
- Torsional strength min. 8 Nm
- Adjustment range: 45°(Inclination) / 360° (rotation)



**Technical data (typ.)**

|                    |   |
|--------------------|---|
| Housing dimensions | 50 x 6.9 x 4.6 mm   |
| Housing material   | Aluminum  |
| Component          | Ball head BEK-A   |
| To be used for     | Barlights BE 1-A ...  |
| Product series     | Z-UBT-KU-PH Product bracket   |
| Scope of delivery  | Sliding block (BEK-A), Ball head, Foot plate, Ball housing, Fixing material |

**More information / accessories**

<https://www.di-soric.com/213329>