

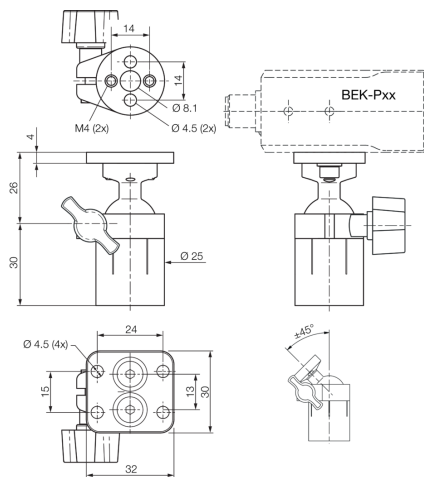
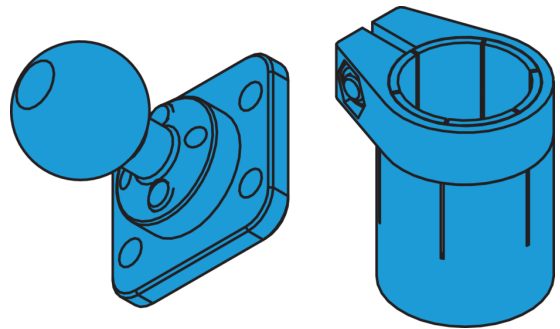


213330

HS-BE-P-MP-KK-M4

Holding system ball head BEK-P

- Load capacity min. 60 Nm (static)
- Torsional strength min. 8 Nm
- Adjustment range: 45°(Inclination) / 360° (rotation)



Technical data (typ.)

Housing dimensions	30 x 32 x 35 mm
Housing material	Aluminum
Component	Holding system ball head BEK-P
To be used for	Spotlights BEK 1-Pxx ... (axial)
Product series	Z-UBT-KU-PH Product bracket
Scope of delivery	Adapter plate (BEK-P), Ball head, Ball housing, Fixing material

More information / accessories

<https://www.di-soric.com/213330>