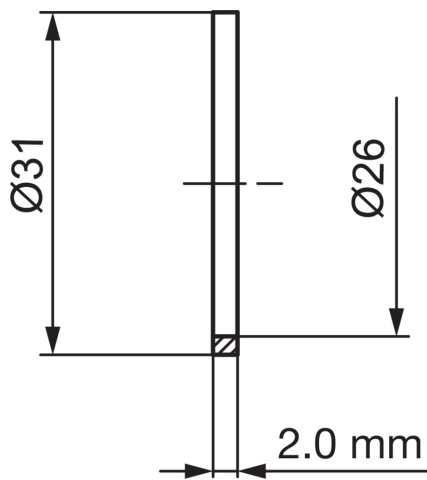




213444
O-ER-020
Spacer ring

- For adjusting the working distance of lenses
- Robust design
- Easy to install



Technical data (typ.)

Housing material	Aluminum (Black, Anodized)
Lens connection	C-mount
Protection class	EC003015
Component	Spacer ring
To be used for	Vision Systems and ID Systems
Scope of delivery	1 pieces
Spacer distance (mm)	2.0 mm

More information / accessories

<https://www.di-soric.com/213444>