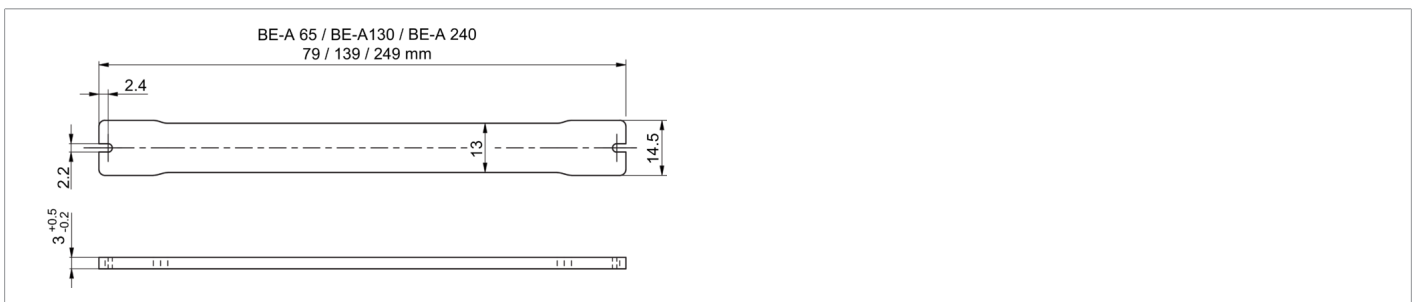
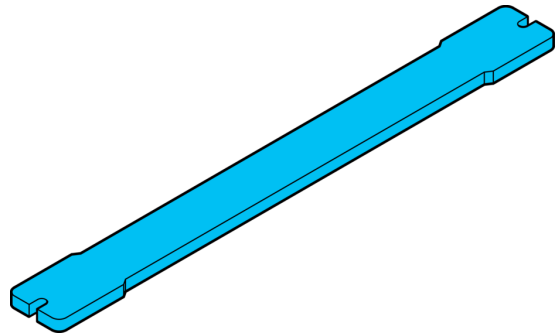


- Clear protective cover
- Easily exchanged



Technical data (typ.)	
Assembly	Using fixing screws
Housing dimensions	14.5 x 3 x 139 mm
Housing length	139 mm
Housing height	3 mm
Housing width	14.5 mm
Housing material	Plastic (PMMA)
Weight	12 g
Component	Safety screen
To be used for	Barlights BE-A130 ...
Scope of delivery	1 safety screen, Fixing material
Transmission	92 %
Ambient temperature during operation	0 ... +40 °C
More information / accessories	
https://www.di-soric.com/213581	