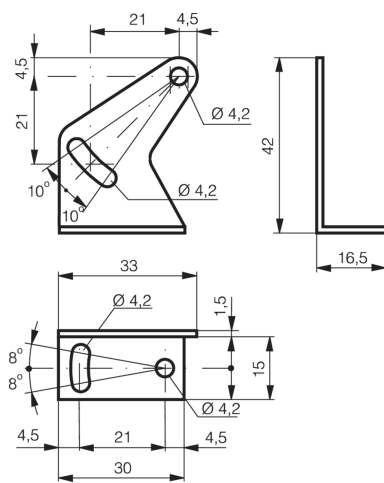
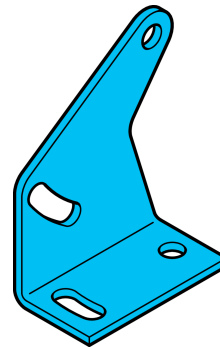




**200027**  
**BW 30**  
**Mounting bracket**

- Adjustable
- Robust design



**Technical data (typ.)**

Hole spacing	21 x 21 mm
Mounting	Hole / slotted
Mounting diameter	Ø 4.2 mm
Housing material	Metal
Component	Mounting bracket
To be used for	Device series O-20 Miniature
Scope of delivery	Mounting bracket, Fixing material

**More information / accessories**

<https://www.di-soric.com/200027>