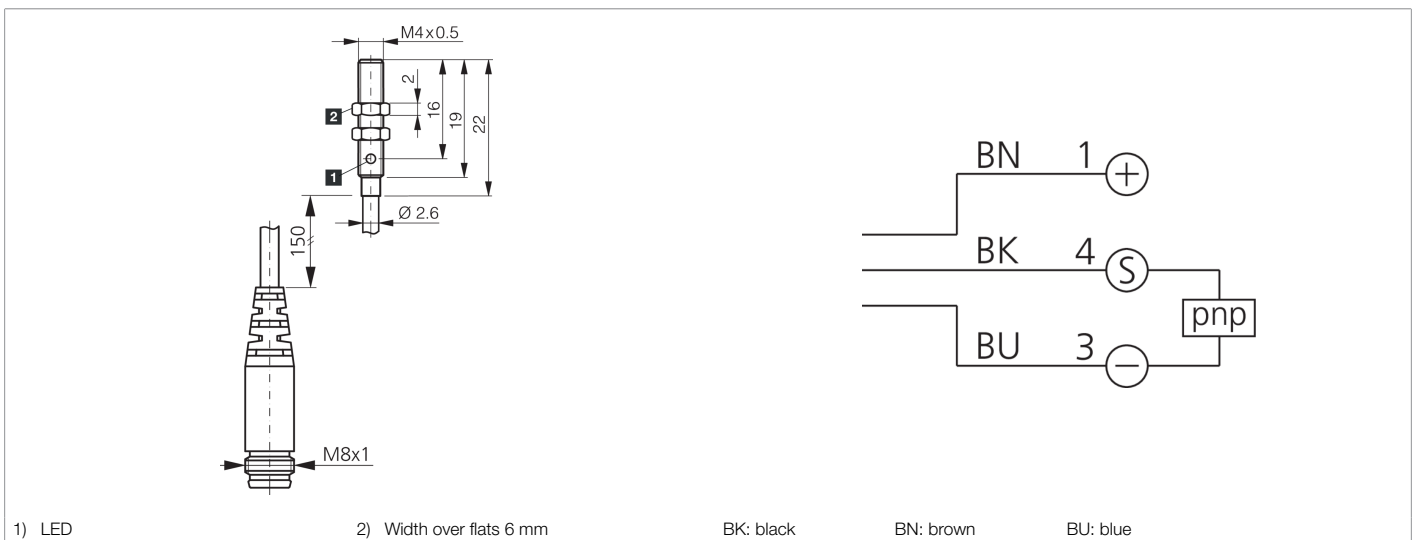




200191
DCC 04 M 0.6 PSK-K-TSL
Inductive proximity sensor

- Highly flexible cable
- Metal connector
- Integrated amplifier
- Short-circuit protection
- Starting pulse suppression
- LED



Function											
										CE	

Technical data (typ.)	+20°C, 24 V DC
Service voltage	10 ... 30 V DC
Internal power consumption	< 10 mA
Insulation voltage endurance	According to IEC 60947-5-2 (7.2.3.1)
Installation type	Flush
Thread	M4 x 0.5
Housing length	22 mm
Housing material	Stainless steel (V2A)
Tightening torque (max.)	0.8 Nm
Protection class	III, operation on protective low voltage
Operating principle	inductive
Evaluation	digital
Design	Thread
Product series	INM-100 Miniature
Switching output	pnp, 100 mA, NO
Voltage drop (max.)	2 V (100 mA)
Switching distance (SN)	0.6 mm
Standardized measuring plate	4 x 4 x 1 mm
Switching hysteresis (max.)	< 10 %
Switching frequency	5000 Hz
Ambient temperature during operation	-25 ... +70 °C



200191

DCC 04 M 0.6 PSK-K-TSL

Inductive proximity sensor

Technical data (typ.)

+20°C, 24 V DC

Protection type

IP 67

Connection

Pigtail, 0.15 m, M8, 3-pin, A-coded

Connection cable

TK ...

More information / accessories

<https://www.di-soric.com/200191>