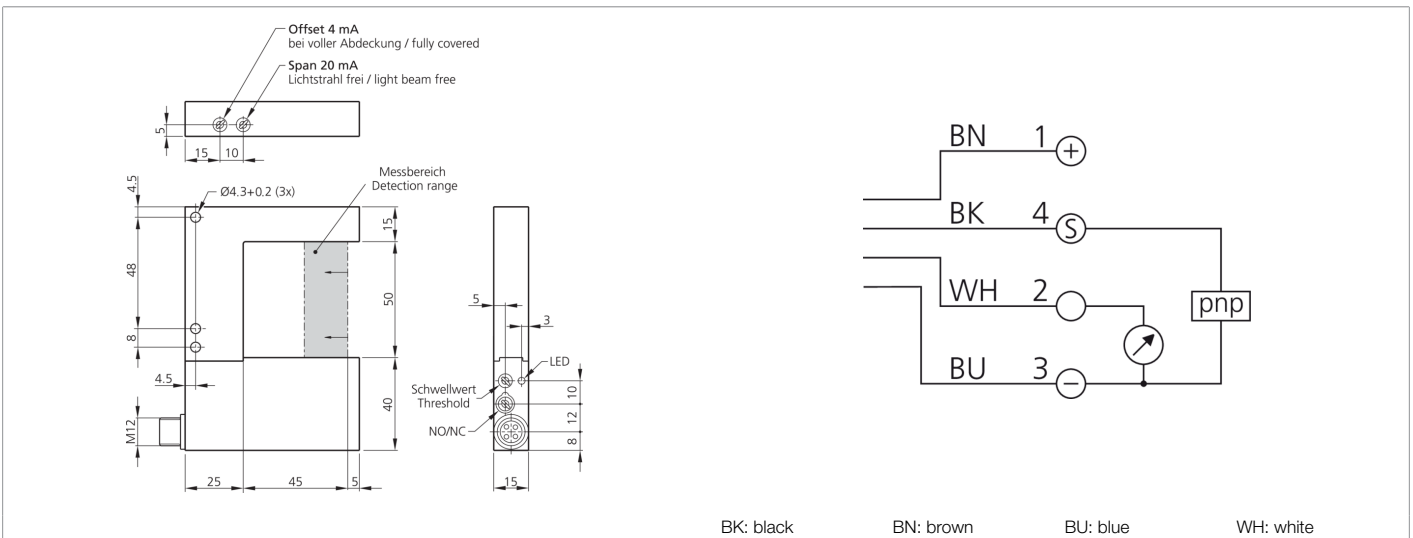




201278
OGU 050/20 IP3K-IBS
Fork light barrier, analog

- Analog output
- IR light
- Metal casing
- LED integrated in housing



Function



Technical data (typ.)

+20°C, 24 V DC

Service voltage	15 ... 35 V DC (Supply Class 2)
No-load current (max.)	80 mA
Insulation voltage endurance	500 V
Leg length internal	50 mm
Housing dimensions	105 x 75 x 15 mm
Housing length	75 mm
Housing height	105 mm
Housing width	15 mm
Housing material	Aluminum (Black, Anodized)
Protection class	III, operation on protective low voltage
Operating principle	Optical
Evaluation	analog
Design	Fork
Note	For trouble-free operation, we recommend the use of shielded connection cables; the shielding must be connected to PE.
Switching output	pnp, 200 mA, NO/NC, switchable
Voltage drop (max.)	2.8 V
Analog output	4 ... 20 mA
Light source	LED
Color	Infrared



201278
OGU 050/20 IP3K-IBS
Fork light barrier, analog

Technical data (typ.)	+20°C, 24 V DC
Modulation	Clocked
Ambient light immunity	10 kLx
Fork opening	50 mm
Measuring range	20 mm
Resolution	Ø 0.5 mm
Switching hysteresis (max.)	10 %
Reproducibility	0.05 mm
Linearity error	5 %
Sensitivity adjustment	Potentiometer
Switching frequency	2000 Hz (abhängig vom eingestellten Schwellwert)
Ambient temperature during operation	+5 ... +50 °C
Protection type	IP 67
Connection	Connector, M12, 4-pin
Connection cable	VK ...
More information / accessories	https://www.di-soric.com/201278