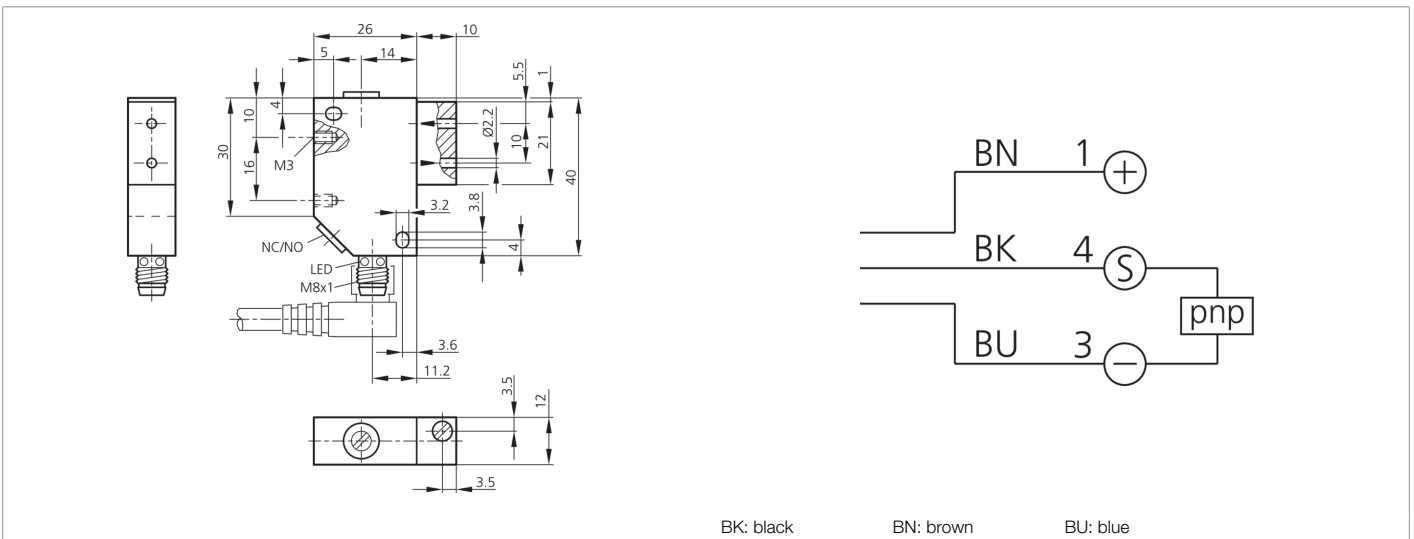




201460
OLVK 41 P3K-TSSL
Plastic fiber-optic amplifier

- Angled optics
- Easy to install
- Red light
- Sensitivity is adjustable
- High switching frequency
- Light/dark switching
- Protection against short-circuit and reverse polarity



Function										

Technical data (typ.)	+20°C, 24 V DC
Service voltage	12 ... 35 V DC
No-load current (max.)	36 mA
Insulation voltage endurance	500 V
Housing length	36 mm
Housing height	40 mm
Housing width	12 mm
Housing material	Plastic (PE)
Protection class	III, operation on protective low voltage
Amplifier for	2X2.2 mm plastic fiber optics
Evaluation	digital
Design	Cuboid design
Switching output	pnp, 200 mA, NO/NC, switchable
Voltage drop (max.)	2 V
Light source	LED
Color	red
Wavelength	660 nm
Modulation	Clocked
Ambient light immunity	30 kLx
Switching hysteresis (max.)	15 %
Sensitivity adjustment	Potentiometer



201460
OLVK 41 P3K-TSSL
Plastic fiber-optic amplifier

Technical data (typ.)	+20°C, 24 V DC
Switching frequency	750 Hz
Response time	0.10 ms
Release time	2.0 ms
Ambient temperature during operation	0 ... +60 °C
Temperature drift	0.3 %/K
Protection type	IP 65
Connection	Connector, M8, 3-pin
More information / accessories	https://www.di-soric.com/201460