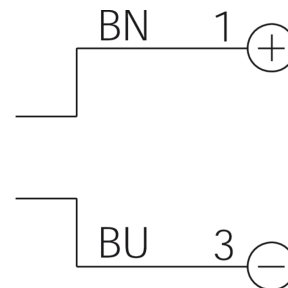
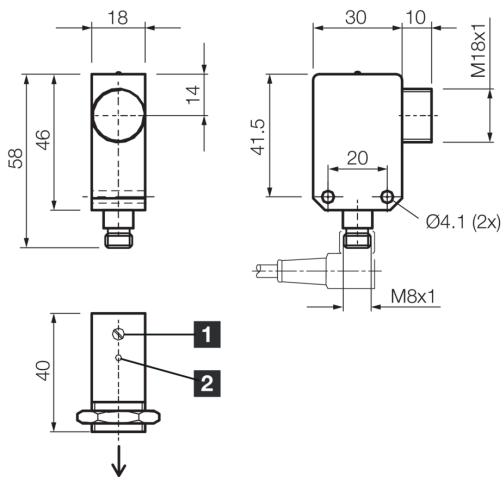




202451
USS 46 K 1500-TSSL
Ultrasonic through-beam sensor, transmitter

- Without blind zone
- Resistant to dirt
- Insensitive to ambient noise
- Measuring does not depend on surface



1) Transmission power (only USS 46 ...) / switch-on delay (only USE 46 ...)

2) LED

BN: brown

BU: blue

Function



Technical data (typ.)

+20°C, 24 V DC

Service voltage	18 ... 30 V DC
No-load current (max.)	55 mA
Insulation voltage endurance	500 V
Housing dimensions	46 x 30 x 18 mm
Housing length	30 mm
Housing height	46 mm
Housing width	18 mm
Housing material	Stainless steel (V2A 1.4301 / AISI 304) / Plastic (PA)
Protection class	III, operation on protective low voltage
Operating principle	Ultrasonic through-beam sensor
Evaluation	digital
Design	Cuboid design
Switching distance	0 ... 1500 mm
Ultrasonic frequency	180 kHz
Ambient temperature during operation	-20 ... +50 °C
Protection type	IP 67
Connection	Connector, M8, 3-pin
Connection cable	TK ...

More information / accessories

<https://www.di-soric.com/202451>



202451

USS 46 K 1500-TSSL

Ultrasonic through-beam sensor, transmitter