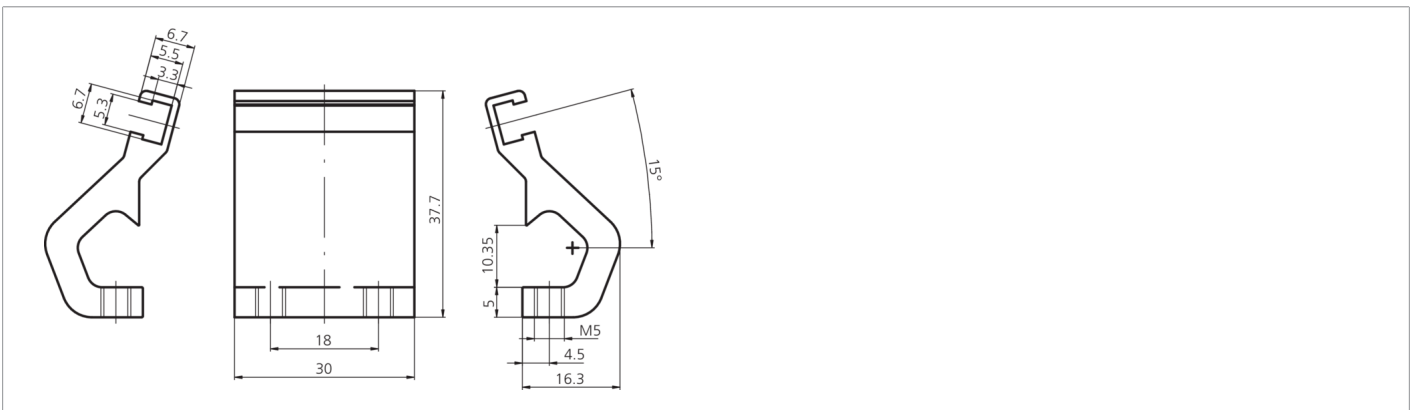
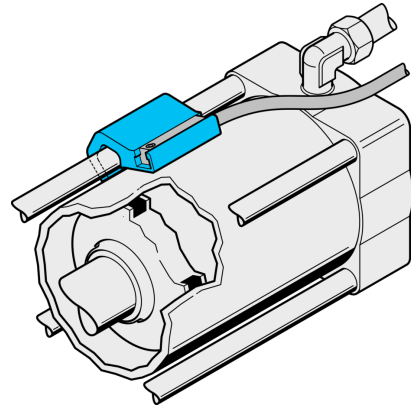




**202791**  
**MZ-K-10/6.5**  
**Sensor bracket**

- Reliable mounting of cylinder sensors on tie rod cylinders
- High locking power
- Robust metal housing
- For quick and easy mounting of sensors



**Technical data (typ.)**

Cylinder groove	T-groove
Assembly	to pull-rod cylinders
Housing material	Aluminum
Component	Sensor bracket
To be used for	Ø 80-100 mm
Scope of delivery	Sensor bracket, Fixing material

**More information / accessories**

<https://www.di-soric.com/202791>