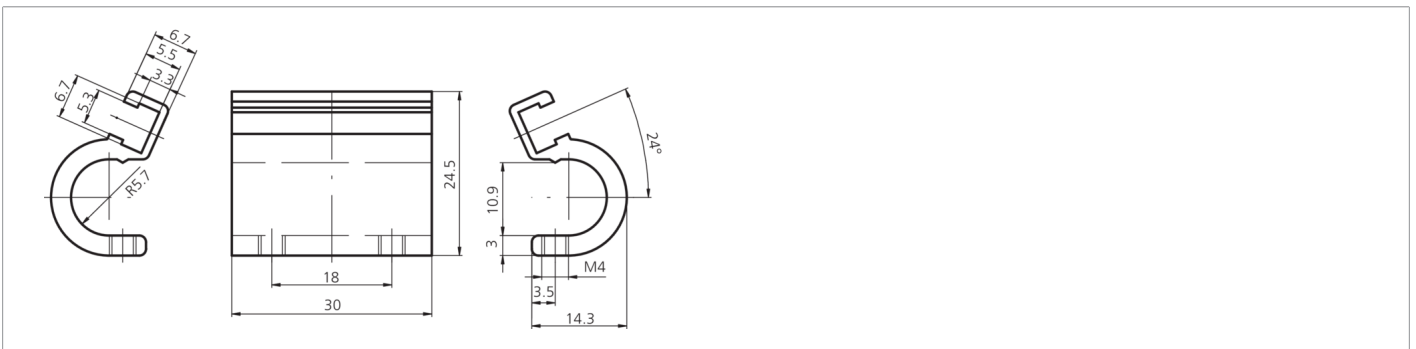
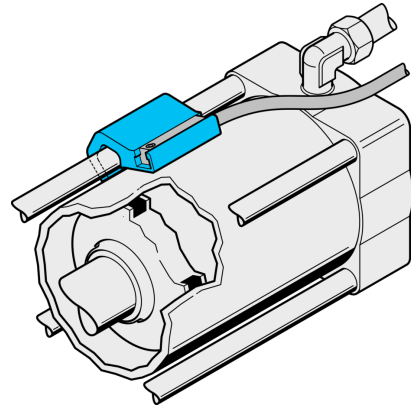




202792
MZ-K-11/6.5
Sensor bracket

- Reliable mounting of cylinder sensors at profiled cylinders
- High locking power
- Robust metal housing
- For quick and easy mounting of sensors



| Technical data (typ.) | |
|---|---------------------------------|
| Cylinder groove | T-groove |
| Assembly | at profiled cylinders |
| Housing material | Aluminum |
| Component | Sensor bracket |
| To be used for | Ø 32-40 mm |
| Scope of delivery | Sensor bracket, Fixing material |
| More information / accessories | |
| https://www.di-soric.com/202792 | |