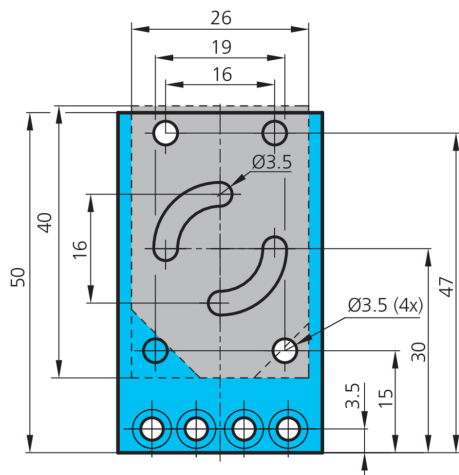
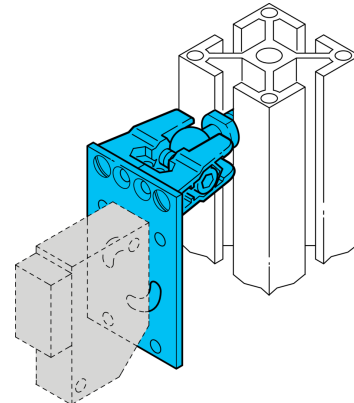




**202811**  
**SHB-S40**  
**Sensor holder**

- Set includes adapter plate and ball joint
- Universal mounting options
- Stepless adjustment
- For quick and easy mounting of sensors
- Central ball joint locking
- Stainless steel / steel galvanized



**Technical data (typ.)**

Mounting

Housing material

Component

To be used for

Scope of delivery

**+20°C**

Threaded bolt M6 x 10

Steel (galvanized)

Sensor holder (ball joint)

Device series O-40E Extended

Sensor holder, Ball joint, Fixing material

**More information / accessories**

<https://www.di-soric.com/202811>