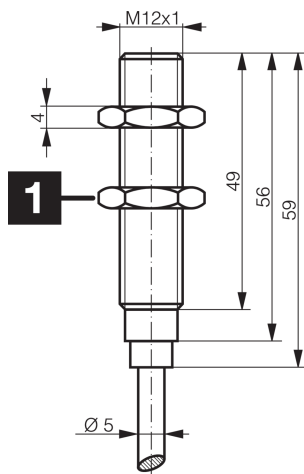




203350
DCC 12 VH 03 PSK/150
Inductive proximity sensor

- High-temperature resistant up to 150 °C permanent temperature
- Stainless steel housing
- Sensing surface LCP
- Cable material silicone
- Integrated amplifier
- Short-circuit protection
- Starting pulse suppression



1) Width over flats 17 mm

BK: black

BN: brown

BU: blue

Function



Technical data (typ.)

+20°C, 24 V DC

Service voltage	10 ... 30 V DC
Internal power consumption	< 10 mA
Insulation voltage endurance	500 V
Installation type	Flush
Thread	M12 x 1
Housing length	59 mm
Housing material	Stainless steel (LCP)
Material of cable	Silicone
Tightening torque	20 Nm
Protection class	III, operation on protective low voltage
Operating principle	inductive
Evaluation	digital
Design	Thread
Characteristics	< +150 °C, high-temperature resistant
Product series	INH High-temperature resistant
Switching output	pnp, 120 mA, NO
Voltage drop (max.)	2 V
Switching distance (SN)	3 mm
Standardized measuring plate	12 x 12 x 1 mm
Switching hysteresis (max.)	3 ... 15 %



203350
DCC 12 VH 03 PSK/150
Inductive proximity sensor

Technical data (typ.)	+20°C, 24 V DC
Switching frequency	500 Hz
Ambient temperature during operation	0 ... +150 °C
Protection type	IP 65
Connection	Cable, 2.0 m (flying leads)
More information / accessories	https://www.di-soric.com/203350