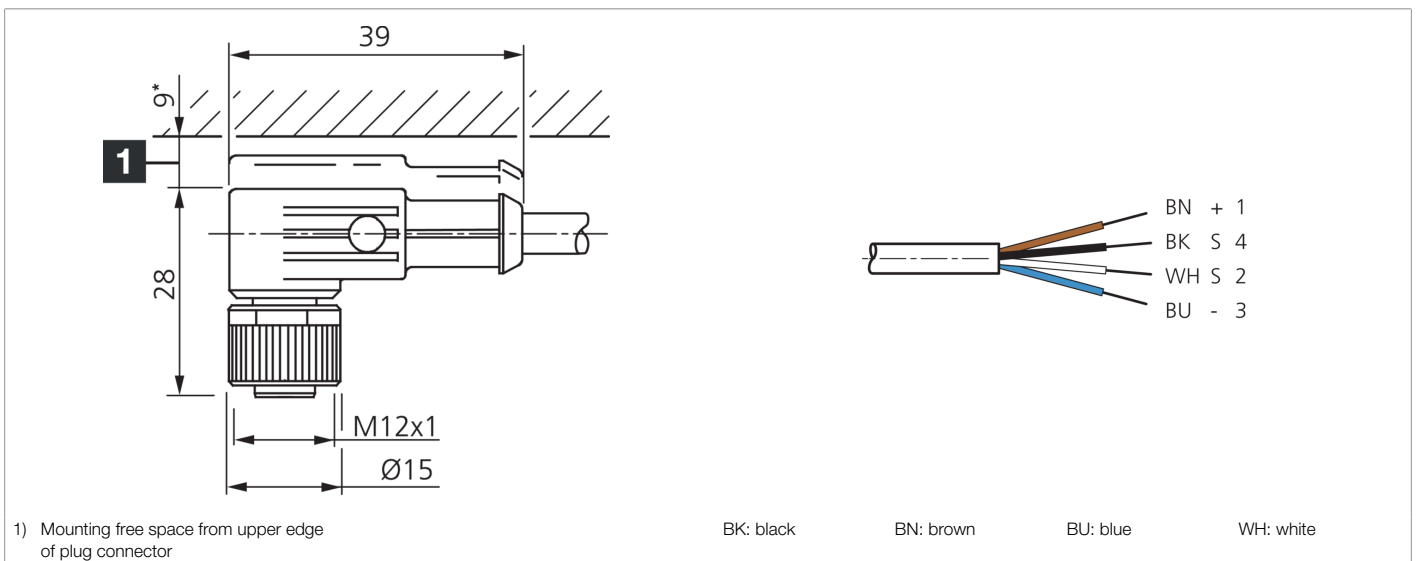




203534
VKPM-W-2.5/4/LP
Connection cable

- LEDs for service voltage and switching status
- Cable material made of PVC for applications in wet rooms or under water
- Sturdy metal union nut
- Flexible lead design
- Good stripping properties
- High protection type
- Gold-plated plug-in contacts



| Function | | | | | | | | | | | |
|----------|--|--|--|--|--|--|--|--|--|--|--|
| | | | | | | | | | | | |

| Technical data (typ.) | +20°C, 24 V DC |
|--------------------------------------|--|
| Service voltage | < 31 V DC |
| Length | 2,500 mm |
| Diameter | Ø 5.0 mm (Diameter) |
| Thread | M12 |
| Material of cable | PVC |
| Material | PVC (Connector) |
| Protection class | III, operation on protective low voltage |
| Design | Angled / open cable end |
| Characteristics | Metal nut |
| LED Anzeige | Yes |
| Ambient temperature during operation | -5 ... +80 °C (Movable, Fixed) |
| Protection type | IP 67 (at tightening torque 0.6 Nm) |
| Connection | Socket, M12, 4-pin |
| Connection 2 | 0.34 mm ² (4 x) |

| More information / accessories | https://www.di-soric.com/203534 |
|--------------------------------|---|
|--------------------------------|---|