

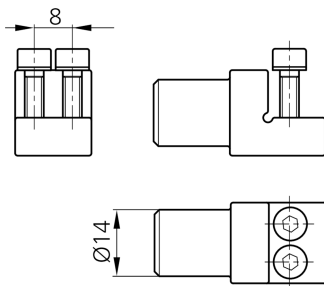
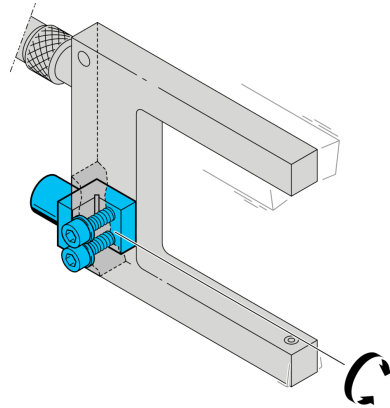


203910

SH-UGU-08-14

Sensor holder for fork light barriers

- Highly flexible versatile mounting system
- Universal mounting
- Stepless adjustment
- Robust design



Technical data (typ.)

| | |
|-------------------|--------------------------------|
| Diameter | +20°C A: 14 mm |
| Housing material | Plastic |
| Component | Sensor holder |
| To be used for | Clamping pin 14 mm |
| Product series | Z-UBT-KL-PH Product bracket |
| Scope of delivery | Sensor holder, Fixing material |

More information / accessories

<https://www.di-soric.com/203910>