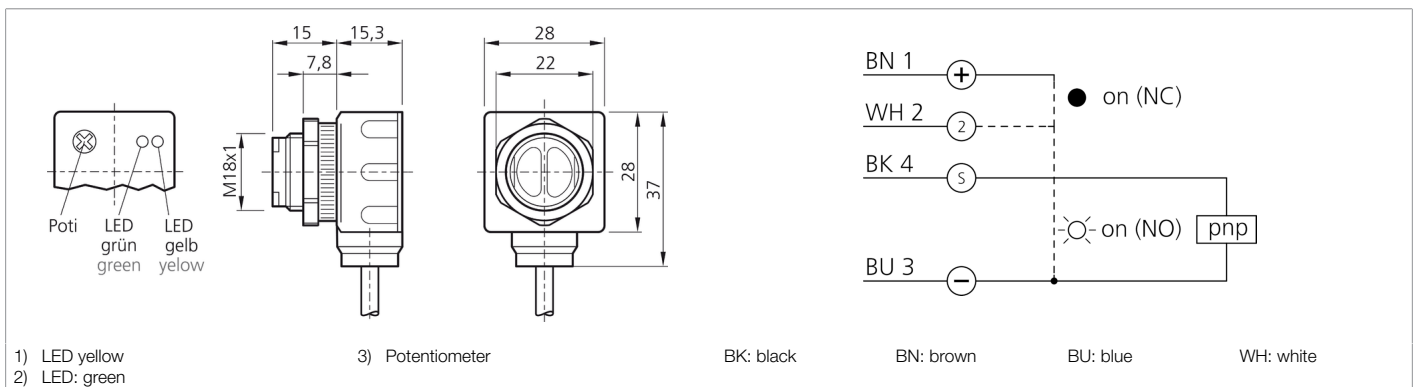




**204015**  
**OR 6-18 KR 2000 P3LK**  
**Retroreflective sensor**

- Reflector included
- Plastic housing
- Cable version
- Infrared light
- Sensitivity is adjustable
- LED switching status display



Function											

Technical data (typ.)	+20°C, 24 V DC
Service voltage	10 ... 30 V DC
No-load current (max.)	30 mA
Housing dimensions	28 x 28 x 15.3 mm
Thread	M18 x 1
Housing length	28 mm
Housing height	28 mm
Housing width	15.3 mm
Housing material	Plastic (ABS)
Material	PMMA (Window)
Protection class	III, operation on protective low voltage
Operating principle	Retroreflective sensor
Evaluation	digital
Design	Cuboid design
Switching output	pnp, 100 mA, NO/NC, programmable
Light source	LED
Color	Infrared
Wavelength	880 nm
Modulation	Clocked
Ambient light immunity	3 kLx Clocked light, 10 kLx Sunlight
Range	6000 mm
Range during operation with	<ul style="list-style-type: none"> <li>■ 2000 mm (R55)</li> <li>■ 3000 mm (R 84)</li> <li>■ 6000 mm (R 100x100)</li> </ul>
Referring reflector	R55 (included)
Sensitivity adjustment	Potentiometer



**204015**  
**OR 6-18 KR 2000 P3LK**  
**Retroreflective sensor**

<b>Technical data (typ.)</b>	<b>+20°C, 24 V DC</b>
Switching frequency	333 Hz
Response time	1.5 ms
Release time	1.5 ms
Ambient temperature during operation	-25 ... +55 °C
Protection type	IP 66
Connection	Cable, 2.0 m
<b>More information / accessories</b>	<b><a href="https://www.di-soric.com/204015">https://www.di-soric.com/204015</a></b>