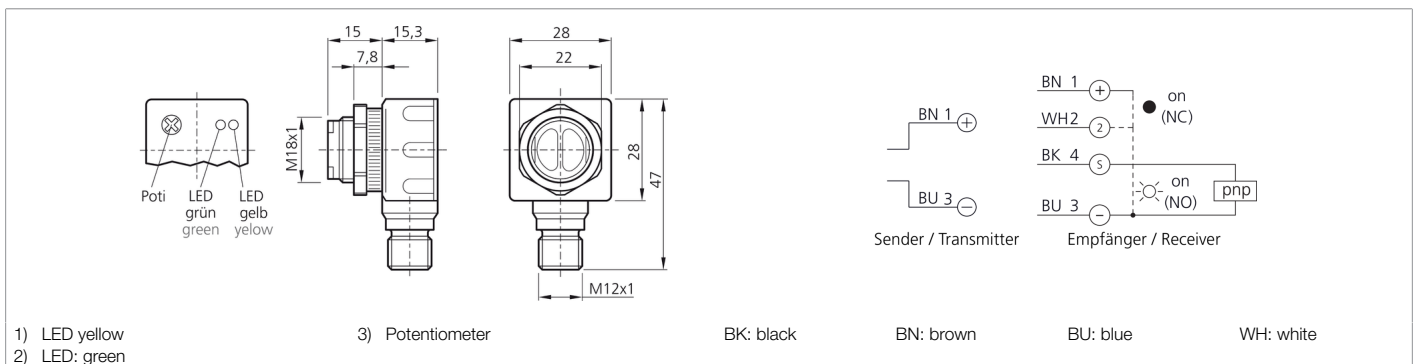




204020
OES 6-18 KR 8000 P3K-BSL
Through-beam sensor, transmitter / receiver

- Set includes transmitter and receiver
- Plastic housing
- Plug connector M12
- Infrared light
- Sensitivity is adjustable
- LED switching status display



Function										

Technical data (typ.)	+20°C, 24 V DC
Service voltage	10 ... 30 V DC
No-load current (max.)	40 mA
Housing dimensions	28 x 28 x 15.3 mm
Thread	M18 x 1
Housing length	28 mm
Housing height	28 mm
Housing width	15.3 mm
Housing material	Plastic
Material	PMMA (Window)
Protection class	III, operation on protective low voltage
Operating principle	Through-beam sensor
Evaluation	digital
Design	Cuboid design, Angled optics
Consisting of	Transmitter and Receiver
Switching output	pnp, 100 mA, NO/NC
Light source	LED
Color	Infrared
Wavelength	880 nm
Modulation	Clocked
Ambient light immunity	3 kLx Clocked light, 10 kLx Sunlight
Range	0 ... 8000 mm
Sensitivity adjustment	Potentiometer
Switching frequency	333 Hz
Response time	1.5 ms
Release time	1.5 ms

 **204020****OES 6-18 KR 8000 P3K-BSL****Through-beam sensor, transmitter / receiver**

Technical data (typ.)	+20°C, 24 V DC
Ambient temperature during operation	-25 ... +50 °C
Protection type	IP 66
Connection	Connector, M12, 4-pin
More information / accessories	https://www.di-soric.com/204020