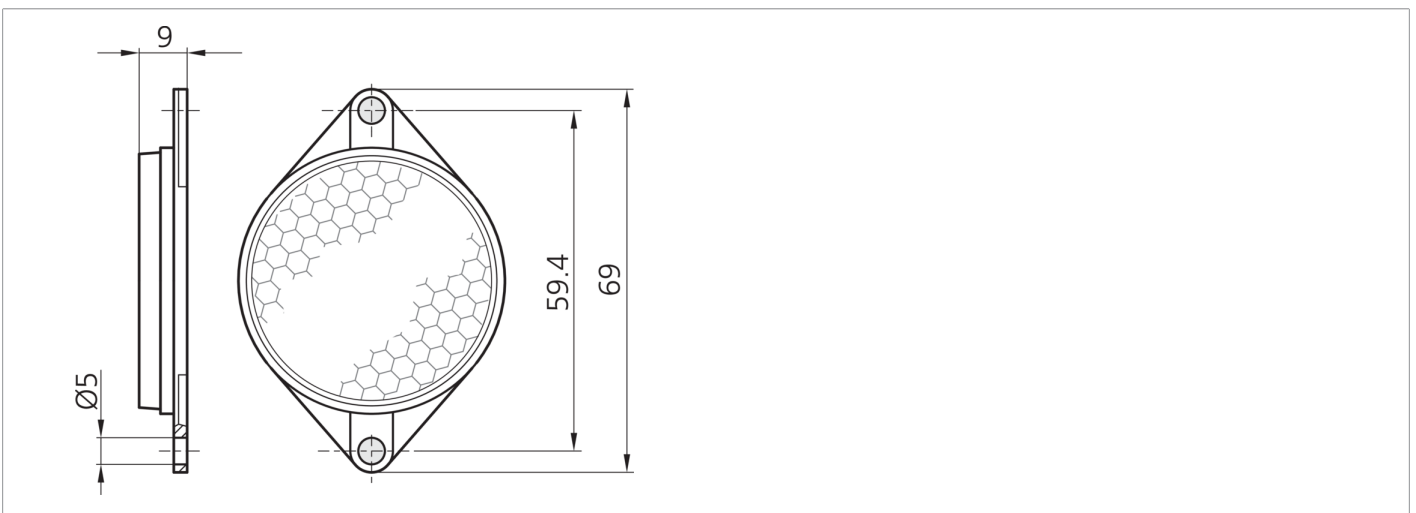
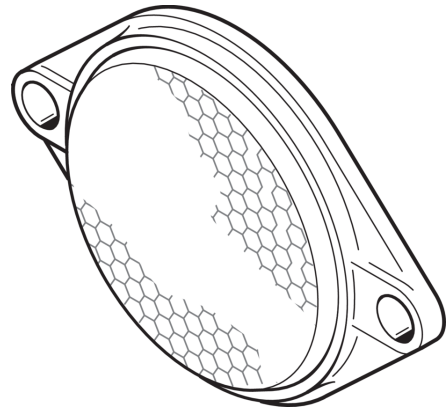




204153
R 46
Reflector

- For infrared and red light
- Heat-resistant up to 80 °C
- Adhesive
- Suitable for polarized light



Function



Technical data (typ.)

	+20°C
Mounting	2 holes
Diameter	Ø 46 mm (Diameter)
Height	9 mm
Housing material	Plastic (Black)
Design	round
Design	Reflector
Light source	LED
Color	Infrared and red
Ambient temperature during operation	+80 °C

More information / accessories

<https://www.di-soric.com/204153>