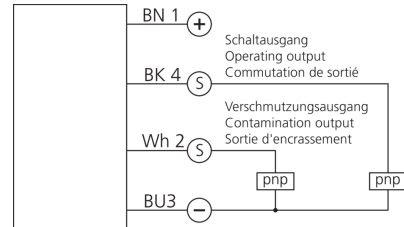
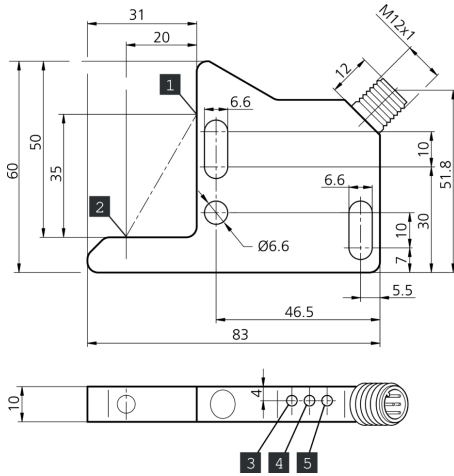
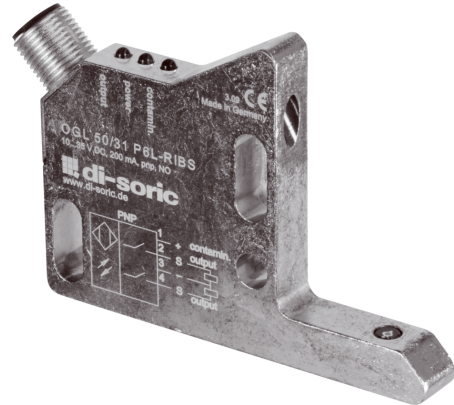




204197
OGL 50/31 P6L-RIBS
High-performance angled light barriers

- Intelligent contamination output with LED display
- High function reserve
- Extremely dirt-resistant
- Optical axis approachable in x-, y- and z-direction
- Universal mounting
- Robust metal housing



1) Transmitter
 2) Receiver

3) LED CONTAMINATION
 4) LED OUTPUT

BK: black

BN: brown

BU: blue

WH: white

Function



Technical data (typ.)

+20°C, 24 V DC

Service voltage	10 ... 35 V DC (Supply Class 2)
No-load current (max.)	45 mA
Insulation voltage endurance	500 V
Leg length internal	50/31 mm
Housing dimensions	60 x 83 x 10 mm
Housing length	83 mm
Housing height	60 mm
Housing width	10 mm
Housing material	Die-cast zinc
Protection class	III, operation on protective low voltage
Approvals	UL
Operating principle	Optical
Evaluation	digital
Design	Angle
Characteristics	High transmit power and dirt penetration
Switching output	pnp, 200 mA, NO
Voltage drop (max.)	2 V
Contamination output	pnp, 200 mA
Light source	LED



204197

OGL 50/31 P6L-RIBS

High-performance angled light barriers

Technical data (typ.)	+20°C, 24 V DC
Color	red
Wavelength	660 nm
Modulation	Clocked
Ambient light immunity	5 kLx
Range	40 mm (optical axis)
Sensitivity adjustment	no setting elements
Switching frequency	200 Hz
Ambient temperature during operation	-10 ... +60 °C
Protection type	IP 67
Connection	Connector, M12, 4-pin
Connection cable	VK ...
More information / accessories	https://www.di-soric.com/204197