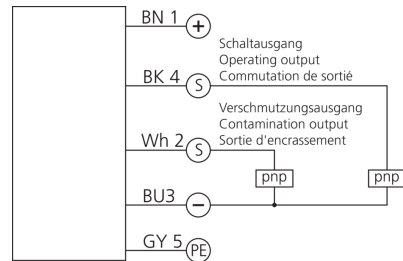
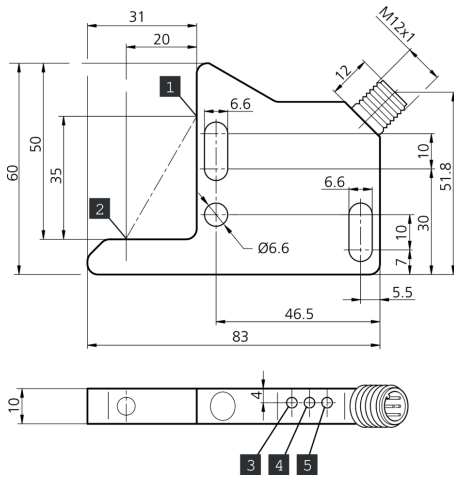
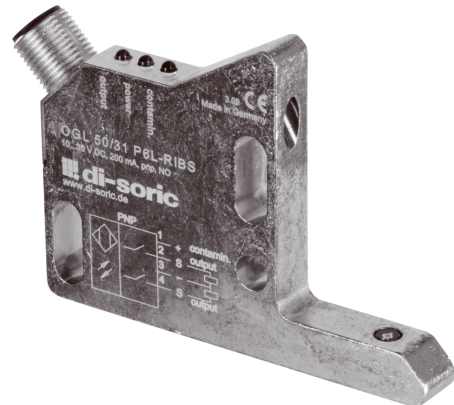


204201

OGL 50/31 P6L-RIBS/PE

High-performance angled light barriers

- Intelligent contamination output with LED display
- High function reserve
- Extremely dirt-resistant
- Advanced PE-contact
- Optical axis approachable in x-, y- and z-direction
- Universal mounting
- Robust metal housing



1) Transmitter
2) Receiver

3) LED CONTAMINATION
4) LED OUTPUT

BK: black
BN: brown

BU: blue
GY: grey

WH: white

Function



Technical data (typ.)

+20°C, 24 V DC

| | |
|------------------------------|--|
| Service voltage | 10 ... 35 V DC (Supply Class 2) |
| No-load current (max.) | 45 mA |
| Insulation voltage endurance | 500 V |
| Leg length internal | 50/31 mm |
| Housing dimensions | 60 x 83 x 10 mm |
| Housing length | 83 mm |
| Housing height | 60 mm |
| Housing width | 10 mm |
| Housing material | Die-cast zinc |
| Protection class | III, operation on protective low voltage |
| Approvals | UL |
| Operating principle | Optical |
| Evaluation | digital |
| Design | Angle |
| Characteristics | High transmit power and dirt penetration |
| Switching output | pnp, 200 mA, NO |
| Voltage drop (max.) | 2 V |
| Contamination output | pnp, 200 mA |
| Light source | LED |

 **204201****OGL 50/31 P6L-RIBS/PE****High-performance angled light barriers**

| Technical data (typ.) | +20°C, 24 V DC |
|---------------------------------------|--|
| Color | red |
| Wavelength | 660 nm |
| Modulation | Clocked |
| Ambient light immunity | 5 kLx |
| Range | 40 mm (optical axis) |
| Sensitivity adjustment | no setting elements |
| Switching frequency | 200 Hz |
| Ambient temperature during operation | -10 ... +60 °C |
| Protection type | IP 67 |
| Connection | Connector, M12, 5-pin |
| Connection cable | VK ... |
| More information / accessories | https://www.di-soric.com/204201 |