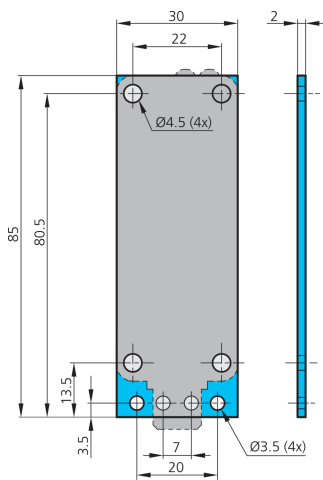
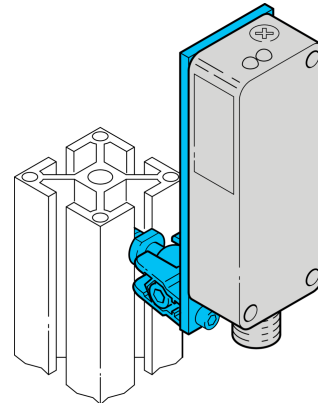


204419
SHB-LHT-81
Sensor holder

- Set includes adapter plate and ball joint
- Universal mounting options
- Stepless adjustment
- For quick and easy mounting of sensors
- Central ball joint locking
- Stainless steel / steel galvanized



Technical data (typ.)

| | |
|-------------------|--|
| Mounting | +20°C Threaded bolt M6 x 10 |
| Housing material | Steel (galvanized) |
| Component | Sensor holder (ball joint) |
| To be used for | Device series O-81 Laser |
| Scope of delivery | Sensor holder, Ball joint, Fixing material |

More information / accessories

<https://www.di-soric.com/204419>