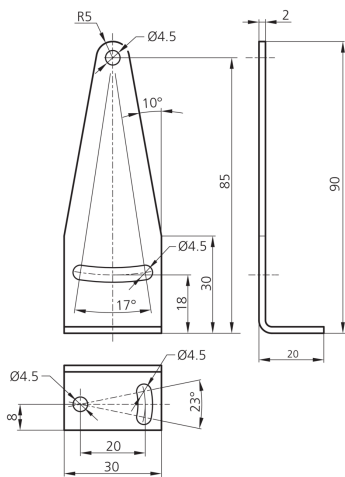
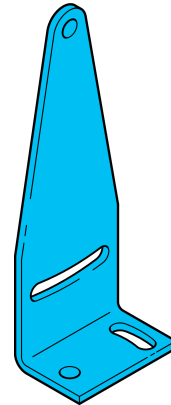




204423
BW LHT 81
Mounting bracket

- Adjustable
- Robust design



Technical data (typ.)

Hole spacing	67 mm
Mounting	Hole / slotted
Mounting diameter	Ø 4.5 mm
Housing material	Metal
Component	Mounting bracket
To be used for	Device series O-81 Laser
Scope of delivery	Mounting bracket, Fixing material

More information / accessories

<https://www.di-soric.com/204423>