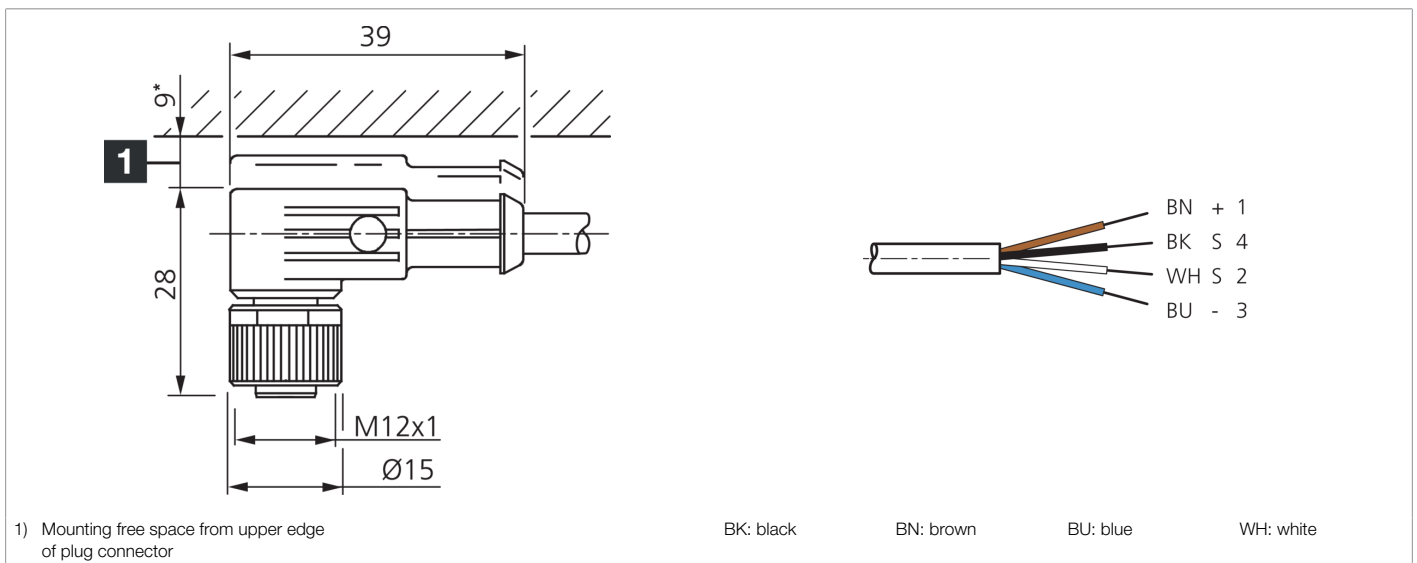


**204450**  
**VKHM-W-5/4-A**  
**Connection cable**

- Sturdy metal union nut
- Flexible lead design
- Durable PU coating
- Good stripping properties
- Chemically stable



Function												

Technical data (typ.)	+20°C, 24 V DC
Service voltage	< 60 V AC/DC
Length	5,000 mm
Thread	M12
Material	Connector TPU / cable PUR (Cable)
Drag chain properties	<ul style="list-style-type: none"> <li>■ &gt; 5 Mio. (Bending cycles)</li> <li>■ 10 x Ø (Min. bending radius)</li> </ul>
Protection class	III, operation on protective low voltage
Design	Angled / open cable end
Characteristics	Shielded, Metal nut
Drag chain compatible	Yes
Ambient temperature during operation	-25 ... +80 °C (Movable, Fixed)
Protection type	IP 67 (at tightening torque 0.6 Nm)
Connection	Socket, M12, 4-pin, 4 x 0.34 mm <sup>2</sup>

**More information / accessories**      <https://www.di-soric.com/204450>