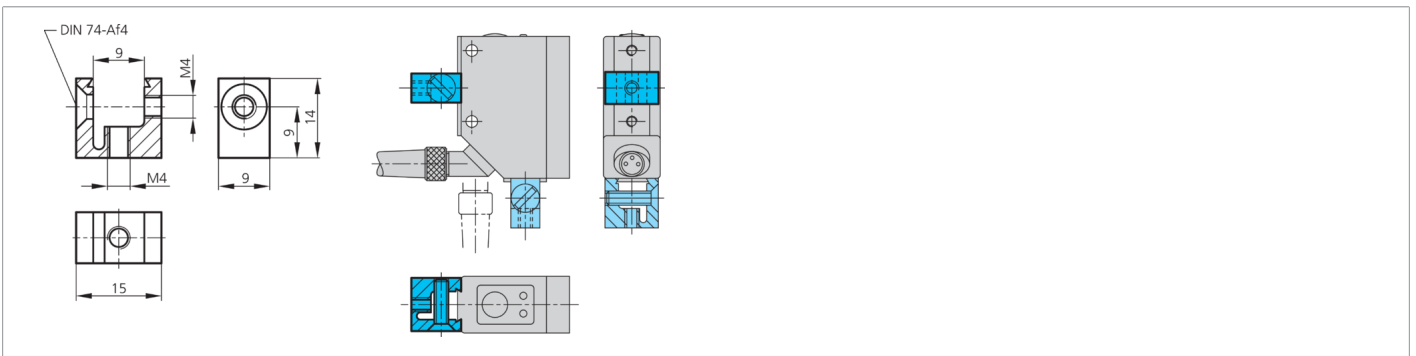
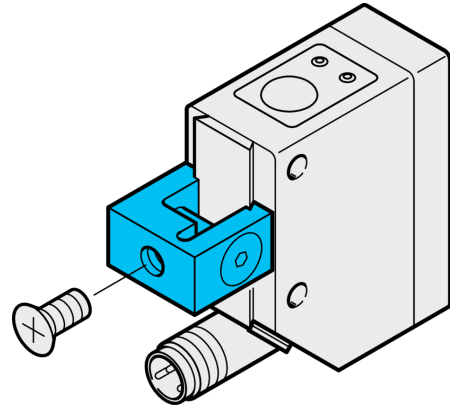




204569
SH-S41-SN
Sensor holder

- Dovetail groove for secure mounting
- Universal mounting
- Stepless adjustment
- Robust design



Technical data (typ.)	
Mounting	M4 screws
Housing material	Aluminum
Component	Sensor holder
To be used for	Housing with dovetail groove 10 mm
Scope of delivery	Sensor holder, Fixing material
More information / accessories	
	https://www.di-soric.com/204569