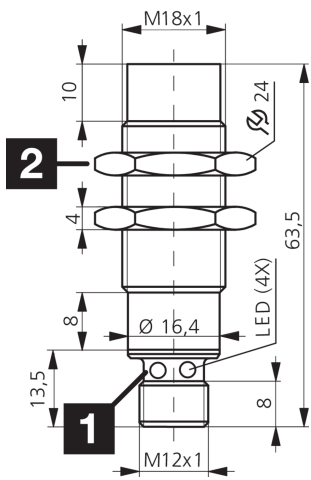




205384
DCC 18 VL 20 NSK-IBSL
Inductive proximity sensor

- For the food industry
- For saltwater applications
- Large operating distance to steel and aluminum
- Closed, all-steel sleeve
- Protection class IP 68 and IP 69K
- Metal connector
- Integrated amplifier
- Short-circuit protection
- Starting pulse suppression
- LED



1) LED 4 x 90° (yellow) 2) Width over flats 24 mm BK: black BN: brown BU: blue

Function



Technical data (typ.)

+20°C, 24 V DC

Service voltage	10 ... 30 V DC
No-load current (max.)	< 10 mA
Insulation voltage endurance	According to IEC 60947-5-2 (7.2.3.1)
Installation type	non-flush
Thread	M18 x 1
Housing length	63.5 mm
Housing material	Stainless steel (1.4435 / AISI 316L)
Tightening torque (max.)	50 Nm
Protection class	III, operation on protective low voltage
Operating principle	inductive
Evaluation	digital
Design	Thread
Characteristics	extremely high operating distance, < 60 bar, Full-metal casing closed
Product series	INW-100 Full metal
Switching output	npn, 200 mA, NO
Voltage drop (max.)	2 V
Switching distance (SN)	20 mm
Standardized measuring plate	60 x 60 x 1 mm
Switching hysteresis (max.)	15 %
Switching frequency	200 Hz



205384

DCC 18 VL 20 NSK-IBSL

Inductive proximity sensor

Technical data (typ.)

+20°C, 24 V DC

Ambient temperature during operation

-25 ... +85 °C

Protection type

IP 68 / IP 69K

Connection

Connector, M12, 3-pin, A-coded

Connection cable

VK ...

More information / accessories

<https://www.di-soric.com/205384>