

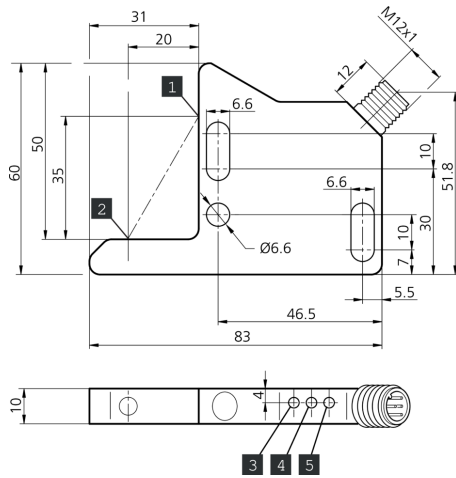
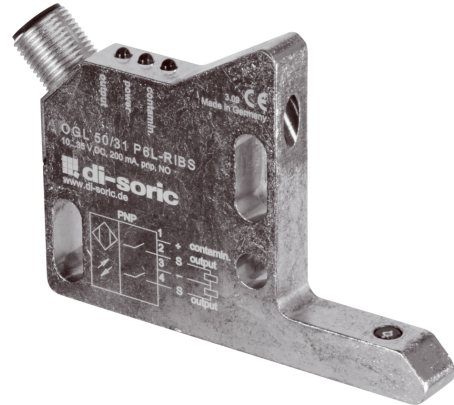


205608

OGL 50/31-0 P2K-RIBS

High-performance angled light barriers

- High function reserve
- Extremely dirt-resistant
- Optical axis approachable in x-, y- and z-direction
- Universal mounting
- Robust metal housing



1) Transmitter
2) Receiver

3) LED CONTAMINATION
4) LED OUTPUT

BK: black

BN: brown

BU: blue

Function



Technical data (typ.)

+20°C, 24 V DC

Service voltage	10 ... 35 V DC (Supply Class 2)
No-load current (max.)	20 mA
Insulation voltage endurance	500 V
Leg length internal	50/31 mm
Housing dimensions	60 x 83 x 10 mm
Housing length	83 mm
Housing height	60 mm
Housing width	10 mm
Housing material	Die-cast zinc
Protection class	III, operation on protective low voltage
Operating principle	Optical
Evaluation	digital
Design	Angle
Characteristics	High transmit power and dirt penetration
Switching output	pnp, 200 mA, NO
Voltage drop (max.)	2 V
Light source	LED
Color	Infrared
Ambient light immunity	5 kLx



205608

OGL 50/31-0 P2K-RIBS

High-performance angled light barriers

Technical data (typ.)	+20°C, 24 V DC
Range	40 mm (optical axis)
Sensitivity adjustment	no setting elements
Switching frequency	50 Hz
Ambient temperature during operation	-10 ... +60 °C
Protection type	IP 67
Connection	Connector, M12, 4-pin
Connection cable	VK ...
More information / accessories	https://www.di-soric.com/205608