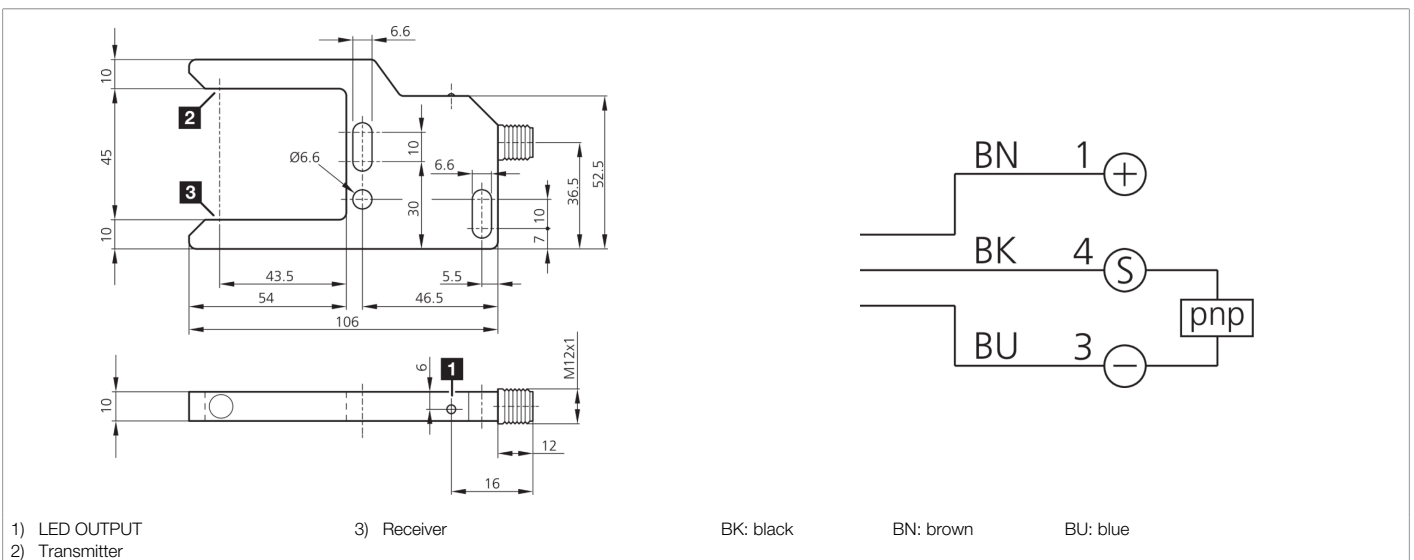
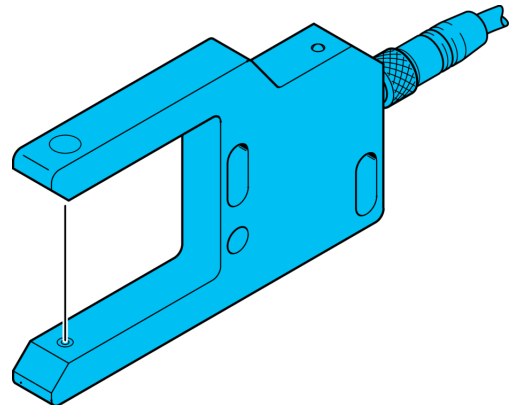




205628
OGU 45/54-0 P2K-IBS
Fork light barrier

- High function reserve
- Universal mounting
- Robust metal housing



Function											

Technical data (typ.)	+20°C, 24 V DC
Service voltage	10 ... 30 V DC
No-load current (max.)	20 mA
Insulation voltage endurance	500 V
Leg length internal	54 mm
Housing material	Aluminum
Protection class	III, operation on protective low voltage
Operating principle	Optical
Evaluation	digital
Design	Fork
Switching output	pnp, 200 mA, NO
Voltage drop (max.)	2.8 V
Light source	LED
Color	Infrared
Modulation	Clocked
Ambient light immunity	5 kLx
Fork opening	45 mm
Sensitivity adjustment	no setting elements
Switching frequency	50 Hz
Ambient temperature during operation	-10 ... +60 °C



205628

OGU 45/54-0 P2K-IBS

Fork light barrier

Technical data (typ.)

+20°C, 24 V DC

Protection type

IP 67

Connection

Connector, M12, 4-pin

Connection cable

VK ...

More information / accessories

<https://www.di-soric.com/205628>