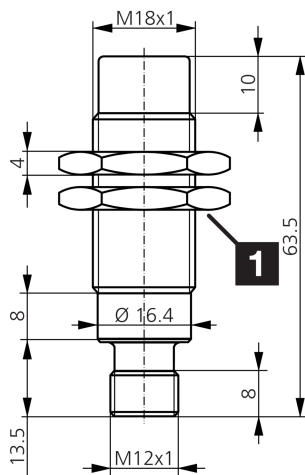




206291
DCC 18 M 20/10 AIK-IBS
Inductive proximity sensor

- Analog current output
- Analog voltage output
- Metal connector
- Integrated amplifier
- Short-circuit protection
- Inverse polarity protection
- Starting pulse suppression



1) Width over flats 24 mm

BK: black

BN: brown

BU: blue

WH: white

Function



Technical data (typ.)

+20°C, 24 V DC

Service voltage	15 ... 30 V DC
Internal power consumption	12 mA
Insulation voltage endurance	According to IEC 60947-5-2 (7.2.3.1)
Installation type	non-flush
Thread	M18 x 1
Housing length	63.4 mm
Housing material	Brass (CuZn, nickel-plated)
Material of sensor probe	PBT
Protection class	III, operation on protective low voltage
Operating principle	inductive
Evaluation	analog
Design	Thread
Characteristics	extremely high operating distance
Product series	INA Analog
Analog output	0 ... 10 V (> 10 kΩ, unlinearized), 4 ... 20 mA (< 0,5 kΩ, unlinearized)
Switching distance (SN)	0 ... 20 mm
Resolution	5.0 μm
Standardized measuring plate	60 x 60 x 1 mm
Reproducibility	0.05 mm (TA = constant), 0.3 mm (according to IEC 60947-5-2)
Switching frequency	250 Hz



206291

DCC 18 M 20/10 AIK-IBS

Inductive proximity sensor

Technical data (typ.)

+20°C, 24 V DC

Shock/vibration load

IEC 60947-5-2 / 7.4

Ambient temperature during operation

-25 ... +70 °C

Protection type

IP 67

Connection

Connector, M12, 4-pin, A-coded

Connection cable

VK ...

More information / accessories

<https://www.di-soric.com/206291>