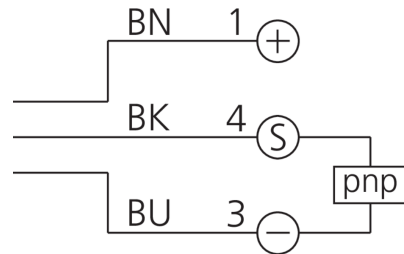
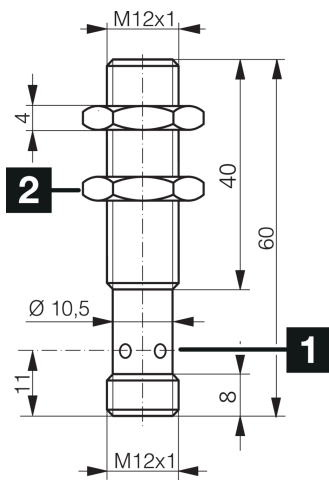


206440
DCC 12 M 04B PSK-IBSL
Inductive proximity sensor

- Metal connector
- Integrated amplifier
- Short-circuit protection
- Starting pulse suppression
- LED



1) LED 4 x 90° (yellow) 2) Width over flats 17 mm BK: black BN: brown BU: blue

Function



Technical data (typ.)

+20°C, 24 V DC

Service voltage	10 ... 30 V DC
Internal power consumption	< 10 mA
Insulation voltage endurance	500 V
Installation type	Flush
Thread	M12 x 1
Housing length	60 mm
Housing material	Brass (nickel-plated)
Protection class	III, operation on protective low voltage
Operating principle	inductive
Evaluation	digital
Design	Thread
Characteristics	increased operating distance
Product series	INE Extended
Switching output	pnp, 200 mA, NO
Voltage drop (max.)	2.4 V
Switching distance (SN)	4 mm
Standardized measuring plate	12 x 12 x 1 mm
Switching hysteresis (max.)	< 15 %
Switching frequency	800 Hz
Ambient temperature during operation	-25 ... +70 °C



206440

DCC 12 M 04B PSK-IBSL

Inductive proximity sensor

Technical data (typ.)

+20°C, 24 V DC

Protection type

IP 67

Connection

Connector, M12, 4-pin, A-coded

Connection cable

VK ...

More information / accessories

<https://www.di-soric.com/206440>