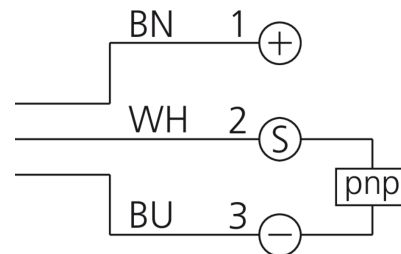
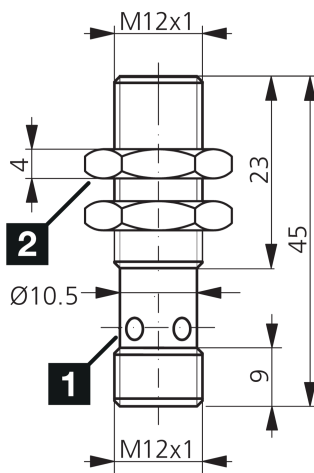




**206629**  
**DCCK 12 M 02 POK-IBSL**  
**Inductive proximity sensor**

- Metal connector
- Integrated amplifier
- Short-circuit protection
- Starting pulse suppression
- LED



1) LED 4 x 90° (yellow)

2) Width over flats 17 mm

BN: brown

BU: blue

WH: white

**Function**

--	--	--	--	--	--	--	--	--	--	--

**Technical data (typ.)**

**+20°C, 24 V DC**

Service voltage	10 ... 30 V DC
Internal power consumption	< 10 mA
Insulation voltage endurance	500 V
Installation type	Flush
Thread	M12 x 1
Housing length	45 mm
Housing material	Brass (nickel-plated)
Protection class	III, operation on protective low voltage
Operating principle	inductive
Evaluation	digital
Design	Thread
Product series	INS-100 Standard
Switching output	pnp, 200 mA, NC
Voltage drop (max.)	2.4 V
Switching distance (SN)	2 mm
Standardized measuring plate	12 x 12 x 1 mm
Switching hysteresis (max.)	< 15 %
Switching frequency	1000 Hz
Ambient temperature during operation	-25 ... +70 °C
Protection type	IP 67



**206629**

**DCCK 12 M 02 POK-IBSL**

**Inductive proximity sensor**

**Technical data (typ.)**

**+20°C, 24 V DC**

Connection

Connector, M12, 4-pin, A-coded

Connection cable

VK ...

**More information / accessories**

<https://www.di-soric.com/206629>