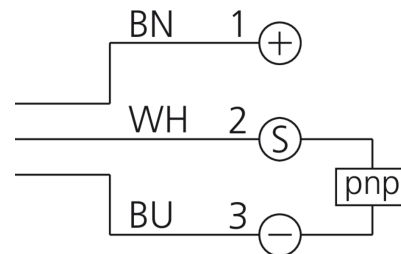
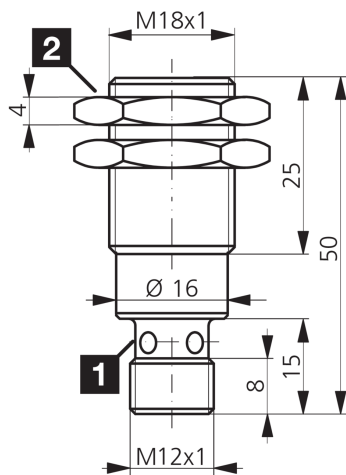




206670
DCCK 18 M 05 POK-IBSL
Inductive proximity sensor

- Metal connector
- Integrated amplifier
- Short-circuit protection
- Starting pulse suppression
- LED



1) LED 4 x 90° (yellow) 2) Width over flats 24 mm BN: brown BU: blue WH: white

Function

| | | | | | | | | | | |
|--|--|--|--|--|--|--|--|--|--|--|
| | | | | | | | | | | |
|--|--|--|--|--|--|--|--|--|--|--|

| Technical data (typ.) | +20°C, 24 V DC |
|--------------------------------------|--|
| Service voltage | 10 ... 30 V DC |
| Internal power consumption | < 10 mA |
| Insulation voltage endurance | 500 V |
| Installation type | Flush |
| Thread | M18 x 1 |
| Housing length | 50 mm |
| Housing material | Brass (nickel-plated) |
| Tightening torque (max.) | 25 Nm |
| Protection class | III, operation on protective low voltage |
| Operating principle | inductive |
| Evaluation | digital |
| Design | Thread |
| Product series | IND-100 Short design |
| Switching output | pnp, 200 mA, NC |
| Voltage drop (max.) | 2.4 V |
| Switching distance (SN) | 5 mm |
| Standardized measuring plate | 18 x 18 x 1 mm |
| Switching hysteresis (max.) | < 10 % |
| Switching frequency | 800 Hz |
| Ambient temperature during operation | -25 ... +70 °C |



206670

DCCK 18 M 05 POK-IBSL

Inductive proximity sensor

Technical data (typ.)

+20°C, 24 V DC

Protection type

IP 67

Connection

Connector, M12, 4-pin, A-coded

Connection cable

VK ...

More information / accessories

<https://www.di-soric.com/206670>