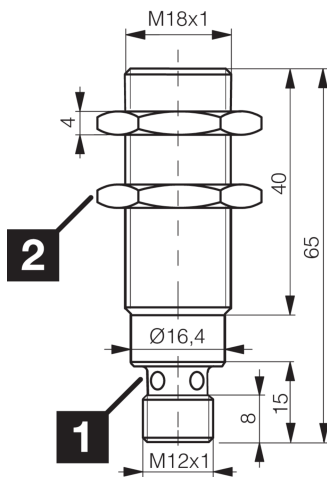
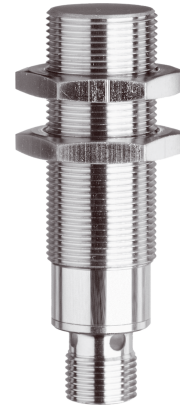




**206696**  
**DCC 18 M 08B NSK-IBSL**  
**Inductive proximity sensor**

- Metal connector
- Integrated amplifier
- Short-circuit protection
- Starting pulse suppression
- LED



1) LED 4 x 90° (yellow)

2) Width over flats 24 mm

BK: black

BN: brown

BU: blue

**Function**



**Technical data (typ.)**

**+20°C, 24 V DC**

Service voltage	10 ... 30 V DC
Internal power consumption	< 10 mA
Insulation voltage endurance	500 V
Installation type	quasi-flush
Thread	M18 x 1
Housing length	65 mm
Housing material	Brass (nickel-plated)
Protection class	III, operation on protective low voltage
Operating principle	inductive
Evaluation	digital
Design	Thread
Characteristics	increased operating distance
Product series	INE Extended
Switching output	npn, 200 mA, NO
Voltage drop (max.)	2.4 V
Switching distance (SN)	8 mm
Standardized measuring plate	24 x 24 x 1 mm
Switching hysteresis (max.)	< 15 %
Switching frequency	500 Hz
Ambient temperature during operation	-25 ... +70 °C



206696

DCC 18 M 08B NSK-IBSL

Inductive proximity sensor

**Technical data (typ.)**

**+20°C, 24 V DC**

Protection type

IP 67

Connection

Connector, M12, 4-pin, A-coded

Connection cable

VK ...

**More information / accessories**

<https://www.di-soric.com/206696>