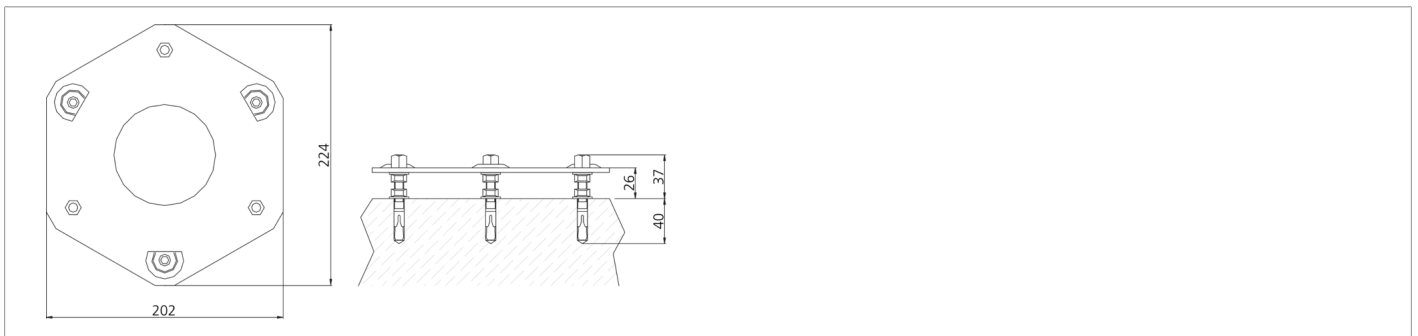
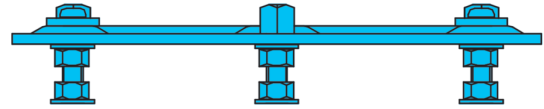




206796
FMC-CBL
Bases for mounting columns

- Steel anchor bolts enclosed
- Robust design



Technical data (typ.)		+20°C
Mounting		3 mounting holes, Ø 8 mm
Housing dimensions		202 x 224 x 37 mm
Housing material		Brass (CuZn, Black)
Component		Bases for mounting columns
Operating principle		Base for mounting column
To be used for		Mounting columns FMC
Scope of delivery		Single plate base, 3 steel anchor bolts, Fixing material
More information / accessories		https://www.di-soric.com/206796